

4

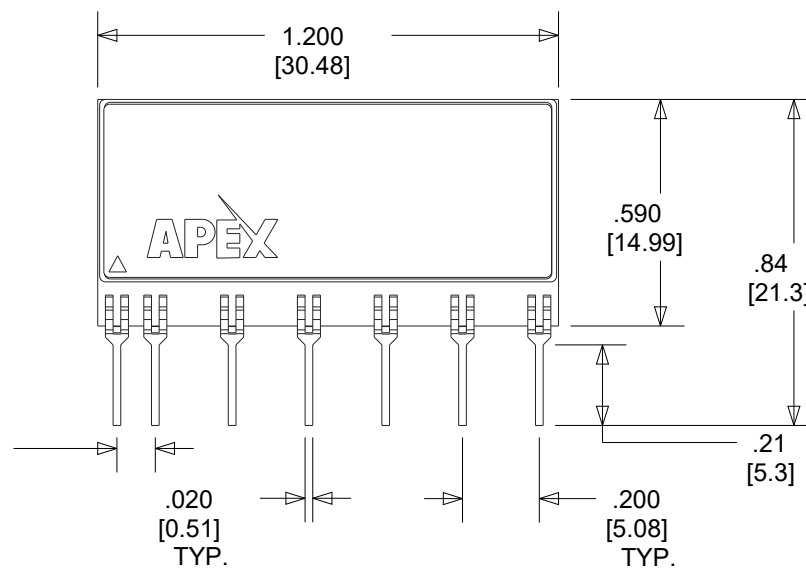
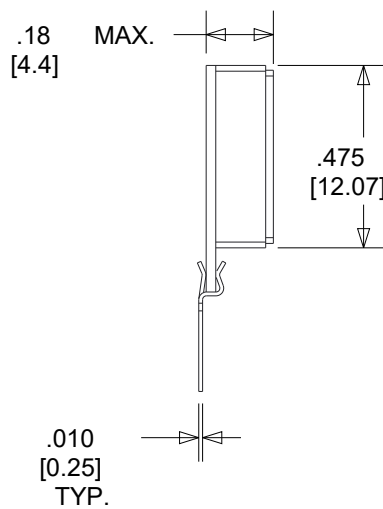
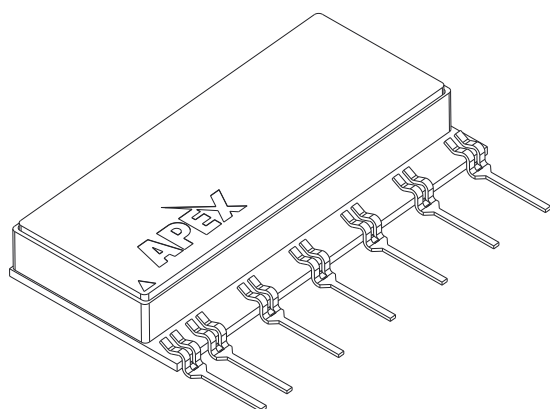
3

2

1

NOTES:

1. Dimensions are inches & [mm].
2. Triangle printed on lid denotes pin 1.
3. Pins: Alloy 510 phosphor bronze plated with matte tin (150 - 300 μ) over nickel (50 μ " max.) underplate.
4. Package Material: Alumina substrate with plastic lid.
5. Package weight: 2.4 grams.
6. Epoxy sealed, non-hermetic package.
7. Drawing scale is 2X.



TOLERANCES - UNLESS OTHERWISE SPECIFIED

.XX = +/- .05" [1.27]

.XXX = +/- .005" [0.127]

ANG. = +/- 2 DEGREES



TITLE:

7-PIN PSIP

SUBJECT:

PACKAGE OUTLINE

MODEL:

PC

ENGINEER:
BHDRAWN BY:
EASDCA:
18533

SH. 1 OF 1

FILENAME:
PCREV:
ADATE:
23OCT18

4

3

2

1