

## *High Voltage Power Operational Amplifiers*



### FEATURES

- High Voltage— 450V ( $\pm 225$ V)
- Low Quiescent Current — 2mA
- Output Current— 100mA
- Programmable Current Limit
- Low Bias Current — FET Input



### APPLICATIONS

- Piezoelectric Positioning
- High Voltage Instrumentation
- Electrostatic Transducers
- Programmable Power Supplies up to 440V

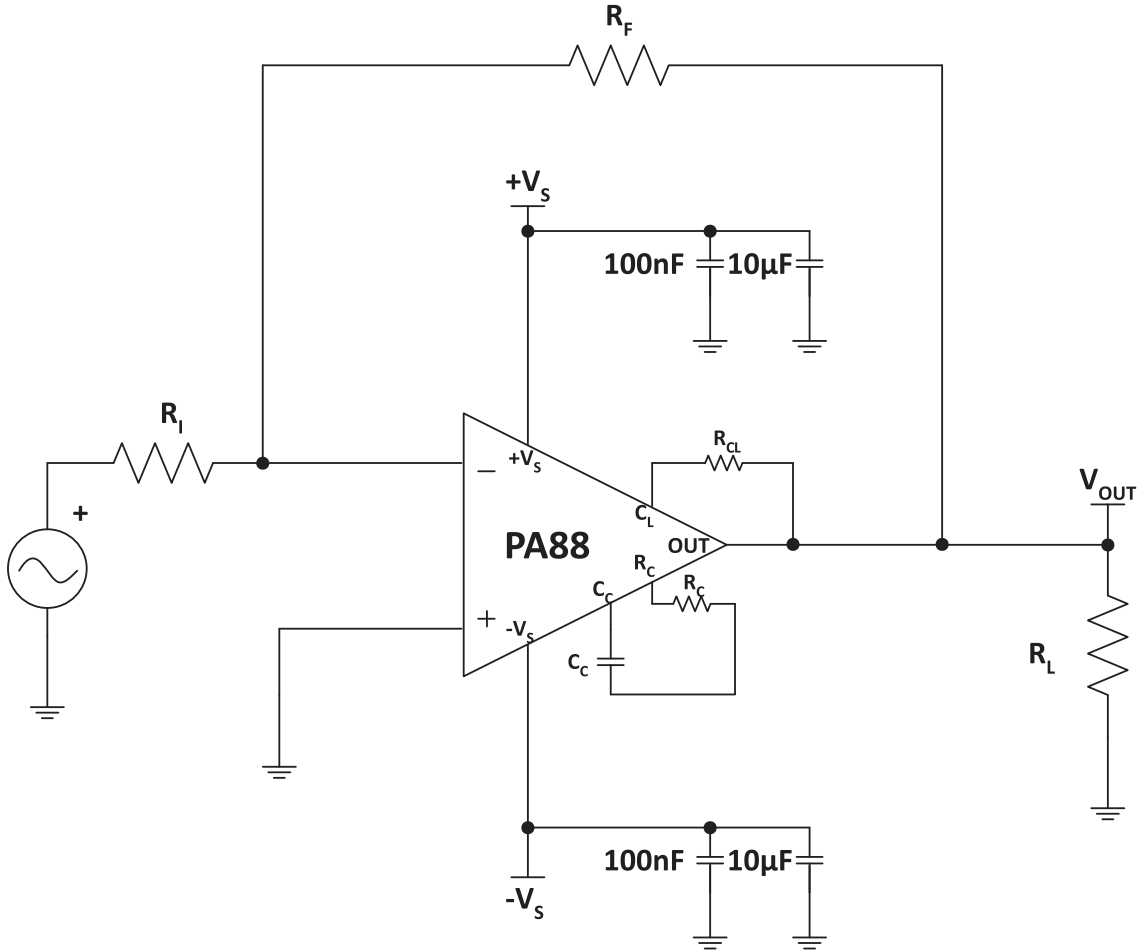
### DESCRIPTION

The PA88 is a high voltage, low quiescent current MOSFET operational amplifier designed for output currents up to 100mA. Output voltages can swing up to  $\pm 215$ V with a dual supply and up to +440 volts with a single supply. The safe operating area (SOA) has no second breakdown limitations and can be observed with all types of loads by choosing an appropriate current limiting resistor. High accuracy is achieved with a cascode input circuit configuration. All internal biasing is referenced to a bootstrapped zener-MOSFET current source. As a result, the PA88 features an unprecedented supply range and excellent supply rejection. The MOSFET output stage is biased on for linear operation. External compensation provides user flexibility.

This hybrid circuit utilizes beryllia (BeO) substrates, thick film resistors, ceramic capacitors and semiconductor chips to maximize reliability, minimize size and give top performance. Ultrasonically bonded aluminum wires provide reliable interconnections at all operating temperatures. The 8-pin TO-3 package is hermetically sealed and electrically isolated. The use of compressible thermal isolation washers and/or improper mounting torque will void the product warranty. Please see Application Note 1, "General Operating Considerations."

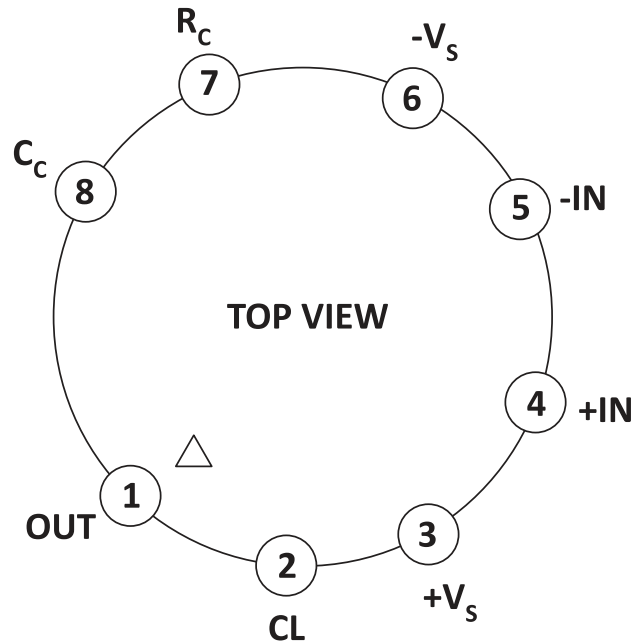
TYPICAL CONNECTION

Figure 1: Typical Connection



**PINOUT AND DESCRIPTION TABLE**

Figure 2: External Connections



Pin Number	Name	Description
1	OUT	The output. Connect this pin to load and to the feedback resistors.
2	CL	Connect to the current limit resistor. Output Current flows into/out of these pins through $R_{CL}$ . The output pin and the load are connected to the other side of $R_{CL}$ .
3	+Vs	The positive supply rail.
4	+IN	The non-inverting input.
5	-IN	The inverting input.
6	-Vs	The negative supply rail.
7	RC	Compensation resistor connection. Select value based on Phase Compensation. See applicable section.
8	CC	Compensation capacitor connection. Select value based on Phase Compensation. See applicable section.

**SPECIFICATIONS**

Unless otherwise noted:  $T_C = 25^\circ\text{C}$ , compensation =  $C_C = 68\text{pF}$ ,  $R_C = 100\ \Omega$ . DC input specifications are  $\pm$  value given. Power supply voltage is typical rating.

**ABSOLUTE MAXIMUM RATINGS**

Parameter	Symbol	Min	Max	Units
Supply Voltage, $+V_S$ To $-V_S$	$+V_S$ to $-V_S$		450	V
Output Current	$I_O$	See SOA		
Power Dissipation, continuous @ $T_C = 25^\circ\text{C}$	$P_D$		15	W
Input Voltage, differential	$V_{IN}$ (Diff)		$\pm 25$	V
Input Voltage, common mode	$V_{cm}$		$\pm V_S$	V
Temperature, pin solder - 10s max.			350	$^\circ\text{C}$
Temperature, junction <sup>1</sup>	$T_J$		150	$^\circ\text{C}$
Temperature, storage		-65	+150	$^\circ\text{C}$
Operating Temperature Range, case	$T_C$	-55	+125	$^\circ\text{C}$

1. Long term operation at the maximum junction temperature will result in reduced product life. Derate internal power dissipation to achieve high MTTF.

**INPUT**

Parameter	Test Conditions	PA88			PA88A			Units
		Min	Typ	Max	Min	Typ	Max	
Offset Voltage, initial			0.5	2		0.25	0.5	mV
Offset Voltage vs. Temperature	Full temp range		10	30		5	10	$\mu\text{V}/^\circ\text{C}$
Offset Voltage vs. Supply			1	5		*	*	$\mu\text{V}/\text{V}$
Offset Voltage vs. Time			75			*		$\mu\text{V}/\text{vkh}$
Bias Current, initial <sup>1</sup>			5	50		3	10	$\mu\text{A}$
Bias Current vs. Supply			0.01			*		$\mu\text{A}/\text{V}$
Offset Current, initial <sup>1</sup>			2.5	100		3	20	$\mu\text{A}$
Input Impedance, DC			$10^{11}$			*		$\Omega$
Input Capacitance			4			*		pF
Common Mode Voltage Range <sup>2</sup>		$\pm V_S - 15$			*			V
Common Mode Rejection, DC	$V_{CM} = \pm 90\text{V}$	90	110		*	*		dB
Noise	100 kHz BW, $R_S = 1\ \text{k}\Omega$ , $C_C = 15\ \text{pF}$		2			*		$\mu\text{Vrms}$

1. Doubles for every  $10^\circ\text{C}$  of temperature increase.
2.  $+V_S$  and  $-V_S$  denote the positive and negative power supply rail respectively.

**GAIN**

Parameter	Test Conditions	PA88			PA88A			Units
		Min	Typ	Max	Min	Typ	Max	
Open Loop, @ 15 Hz	$R_L = 2\text{ k}\Omega$ , $C_C = \text{OPEN}$	96	111		*	*		dB
Gain Bandwidth Product @ 1 MHz	$R_L = 2\text{ k}\Omega$ , $C_C = 15\text{ pf}$ , $R_C = 100\ \Omega$		2.1			*		MHz
Power Bandwidth	$R_L = 2\text{ k}\Omega$ , $C_C = 15\text{ pf}$ , $R_C = 100\ \Omega$		6			*		kHz
Phase Margin	Full temp range		60			*		°

**OUTPUT**

Parameter	Test Conditions	PA88			PA88A			Units
		Min	Typ	Max	Min	Typ	Max	
Voltage Swing <sup>1</sup>	Full temp range, $I_O = \pm 75\text{ mA}$	$\pm V_S - 16$	$\pm V_S - 14$		*	*		V
Voltage Swing <sup>1</sup>	Full temp range, $I_O = \pm 20\text{ mA}$	$\pm V_S - 10$	$\pm V_S - 5.2$		*	*		V
Current, continuous	$T_C = 85^\circ\text{C}$	$\pm 100$				*		mA
Slew Rate, $A_V = 20$	$C_C = 15\text{ pf}$ , $R_C = 100\ \Omega$		8			*		V/ $\mu\text{s}$
Slew Rate, $A_V = 100$	$C_C = \text{OPEN}$		30			*		V/ $\mu\text{s}$
Capacitive Load, $A_V = +1$	Full temp range	470			*			pF
Settling Time to 0.1%	$C_C = 15\text{ pf}$ , $R_C = 100\ \Omega$ , 2V step		10			*		$\mu\text{s}$
Resistance, no load	$R_{CL} = 0$		100			*		$\Omega$

1.  $+V_S$  and  $-V_S$  denote the positive and negative power supply rail respectively.

**POWER SUPPLY**

Parameter	Test Conditions	PA88			PA88A			Units
		Min	Typ	Max	Min	Typ	Max	
Voltage <sup>1</sup>		$\pm 15$	$\pm 200$	$\pm 225$	*	*	*	V
Current, quiescent,			1.7	2		*	*	mA

1. Derate max supply rating 0.625 V/ $^\circ\text{C}$  below 25 $^\circ\text{C}$  case. No derating needed above 25 $^\circ\text{C}$  case.

**THERMAL**

Parameter	Test Conditions	PA88			PA88A			Units
		Min	Typ	Max	Min	Typ	Max	
Resistance, AC, junction to case <sup>1</sup>	Full temp range, F > 60 Hz			5			*	°C/W
Resistance, DC, junction to case	Full temp range, F < 60 Hz			8.3			*	°C/W
Resistance, junction to air	Full temp range		30			*		°C/W
Temperature Range, case	Meets full range specifications	-25		+85	*		*	°C

1. Rating applies if the output current alternates between both output transistors at a rate faster than 60 Hz.

**CAUTION**

The PA88 is constructed from MOSFET transistors. ESD handling procedures must be observed. The internal substrate contains beryllia (BeO). Do not break the seal. If accidentally broken, do not crush, machine, or subject to temperatures in excess of 850°C to avoid generating toxic fumes.

TYPICAL PERFORMANCE GRAPHS

Figure 3: Power Derating

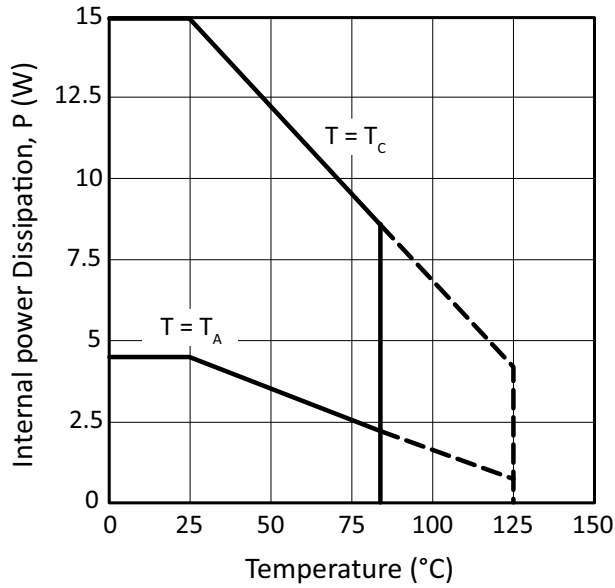


Figure 4: Quiescent Current

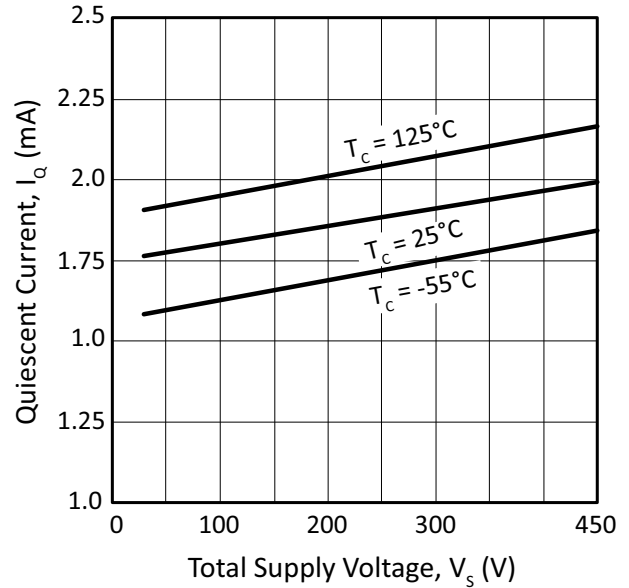


Figure 5: Small Signal Response

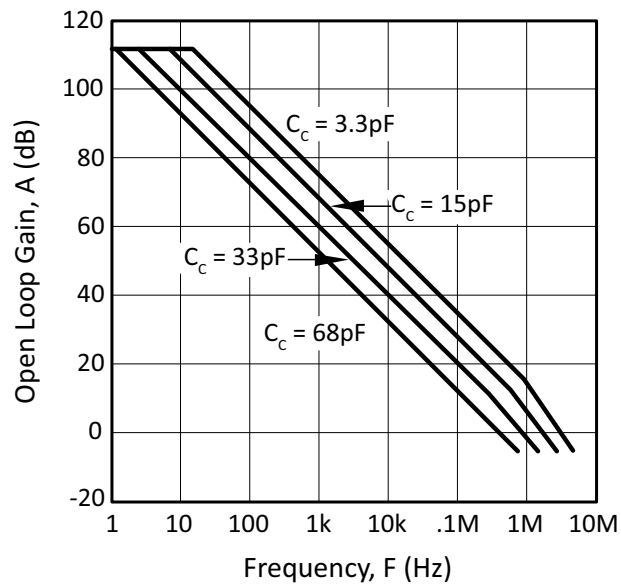


Figure 6: Phase Response

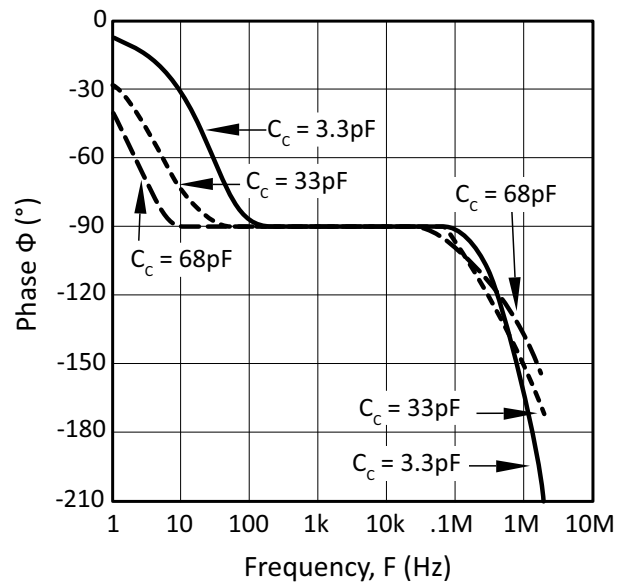


Figure 7: Output Voltage Swing

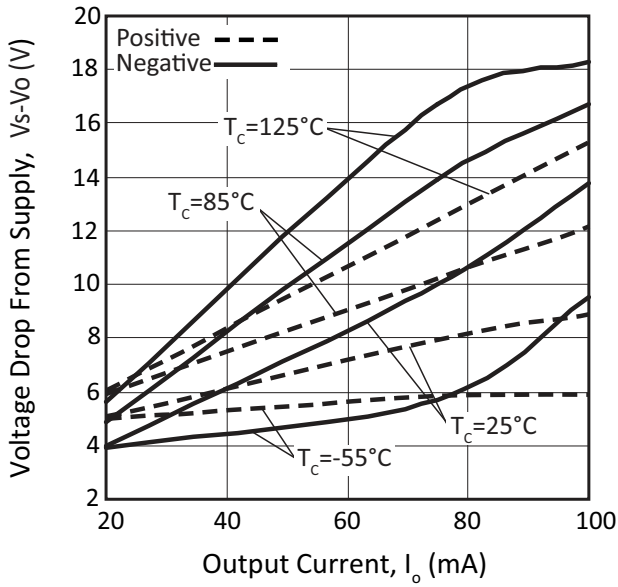


Figure 8: Power Response

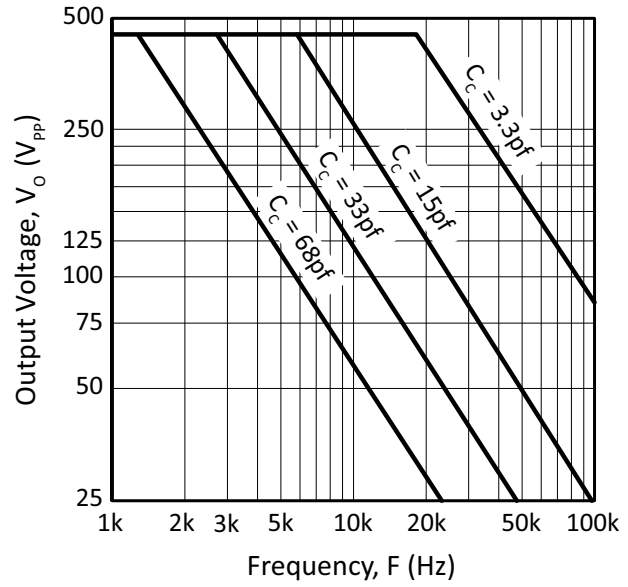


Figure 9: Slew Rate

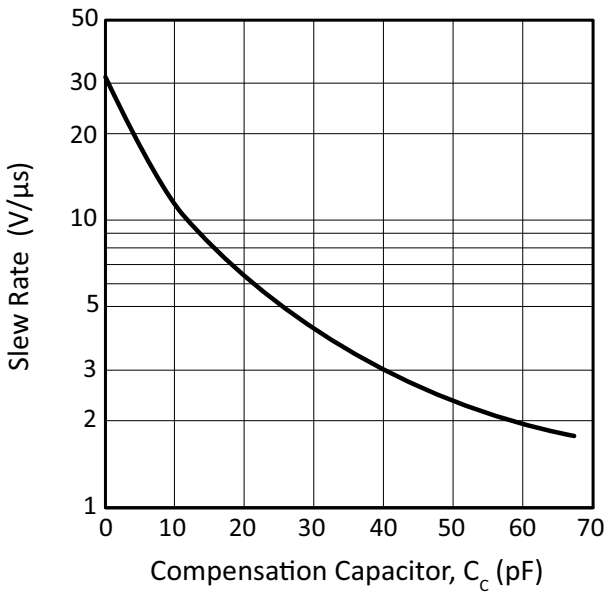


Figure 10: Harmonic Distortion

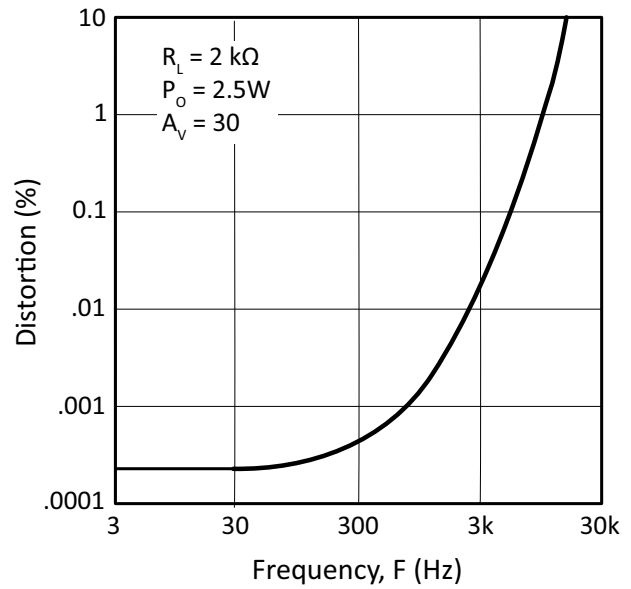




Figure 11: Input Noise

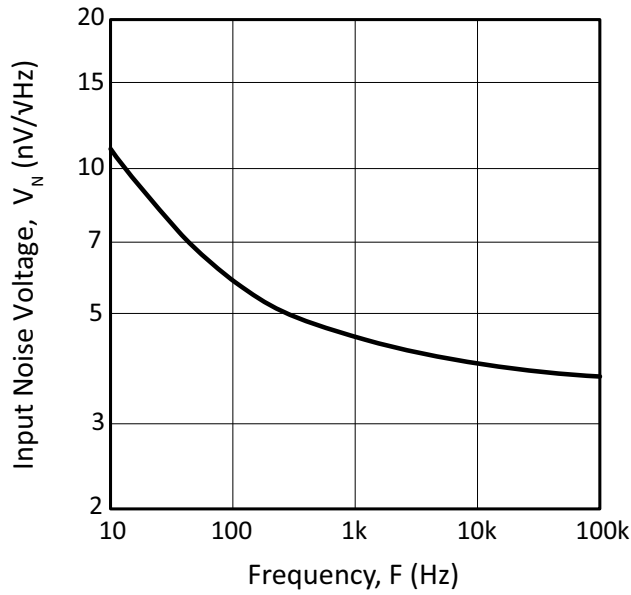


Figure 12: Common Mode Rejection

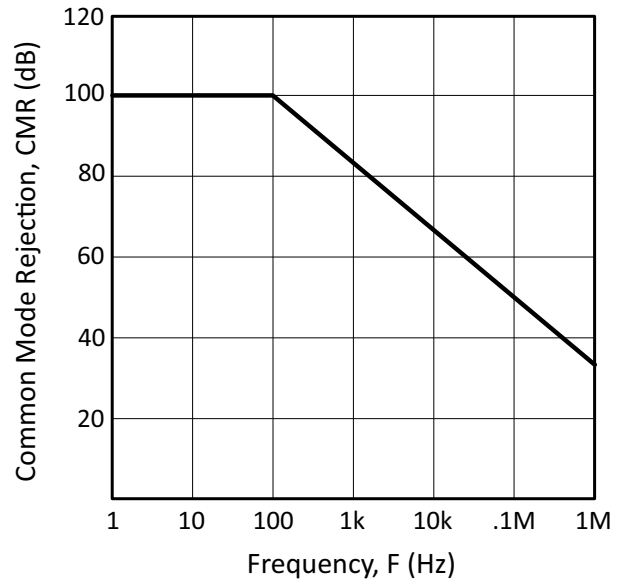


Figure 13: Power Supply Rejection

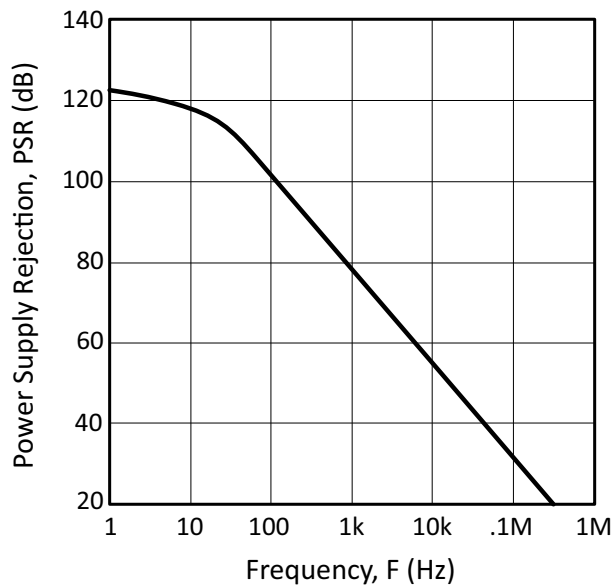
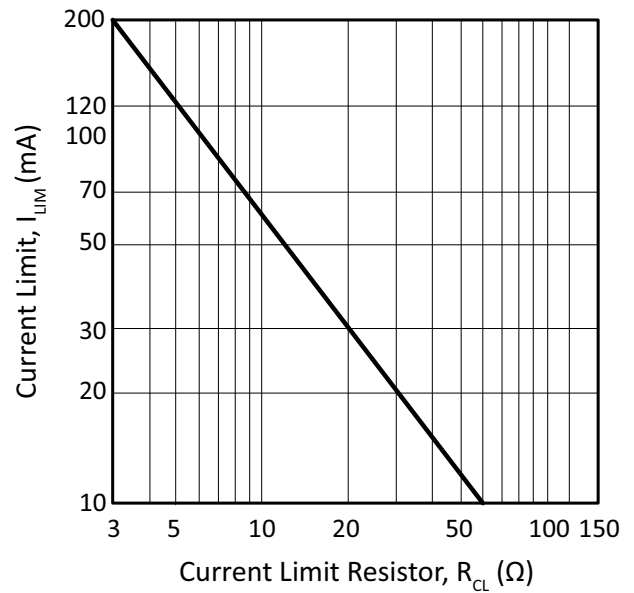


Figure 14: Current Limit



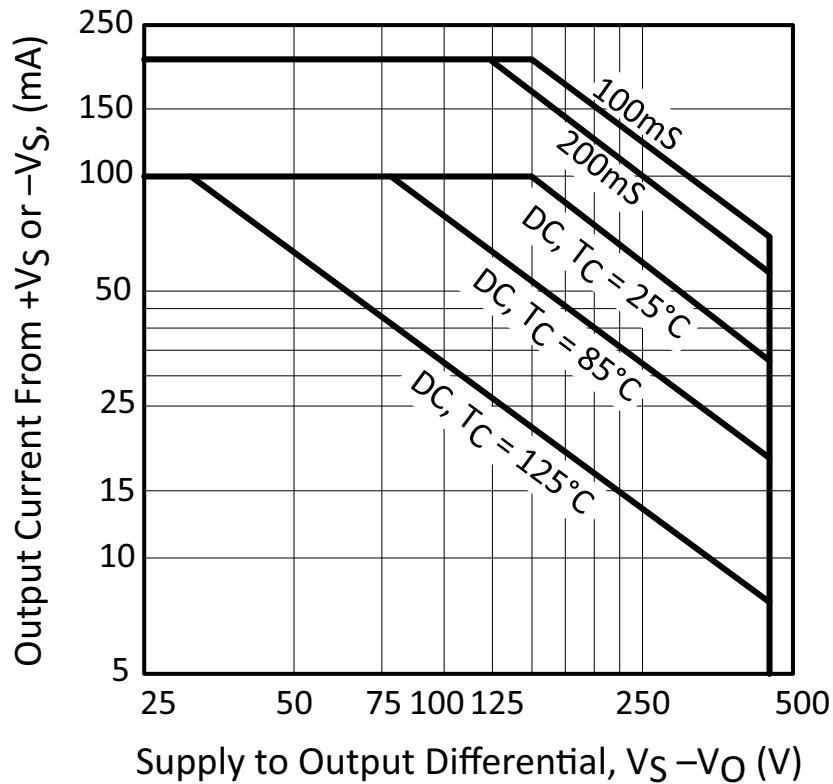
**SAFE OPERATING AREA (SOA)**

The MOSFET output stage of this power operational amplifier has two distinct limitations:

1. The current handling capability of the MOSFET geometry and the wire bonds.
2. The junction temperature of the output MOSFETs.

**Note:** The output stage is protected against transient flyback. However, for protection against sustained, high energy flyback, external fast-recovery diodes should be used.

Figure 15: SOA



**GENERAL**

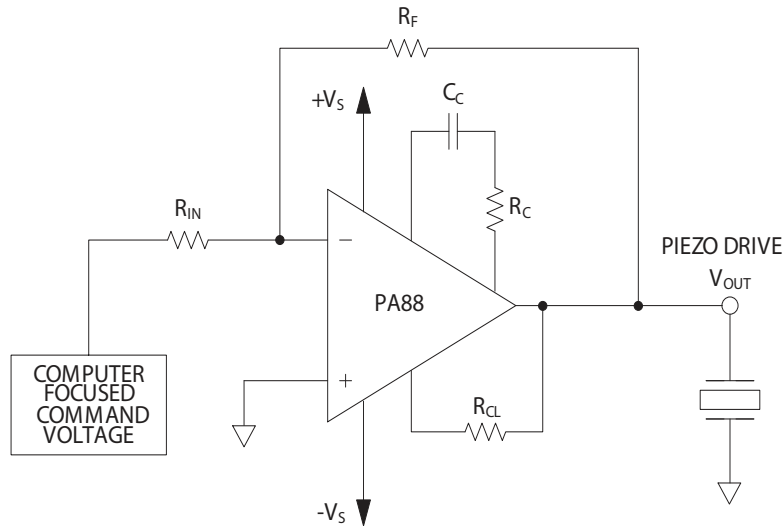
Please read Application Note 1 “General Operating Considerations” which covers stability, supplies, heat sinking, mounting, current limit, SOA interpretation, and specification interpretation. Visit [www.apexanalog.com](http://www.apexanalog.com) for Apex Microtechnology’s complete Application Notes library, Technical Seminar Workbook, and Evaluation Kits.

**TYPICAL APPLICATION**

**LOW POWER, PIEZOELECTRIC POSITIONING**

Piezo positioning may be applied to the focusing of segmented mirror systems. The composite mirror may be composed of hundreds of elements, each requiring focusing under computer control. In such complex systems the PA88’s advantage of low quiescent power consumption reduces the costs of power supplies and cooling, while providing the interface between the computer and the high voltage drive to the piezo positioners.

**Figure 16: Typical Application**



**PHASE COMPENSATION**

Gain	C <sub>C</sub> *	R <sub>C</sub>
1	68pf	100Ω
10	33pf	100Ω
20	15pf	100Ω
100	15pf	---

\*C<sub>C</sub> Rate for full supply voltage

## STABILITY

The PA88 has sufficient phase margin to be stable with most capacitive loads at a gain of 4 or more, using the recommended phase compensation.

The PA88 is externally compensated and performance can be tailored to the application. Use the graphs of small signal response and power response as a guide. The compensation capacitor  $C_C$  must be rated at 500V working voltage. An NPO capacitor is recommended. The compensation network  $C_C R_C$  must be mounted closely to the amplifier pins 7 and 8 to avoid spurious oscillation.

## CURRENT LIMIT

For proper operation, the current limit resistor ( $R_{CL}$ ) must be connected as shown in the typical connection diagram. The minimum value is 3.5  $\Omega$ , however for optimum reliability the resistor value should be set as high as possible. The value is calculated as follows; with the maximum practical value of 150  $\Omega$ .

$$R_{CL}(\Omega) = \frac{0.7V}{I_{LIM}(A)}$$

## INPUT PROTECTION

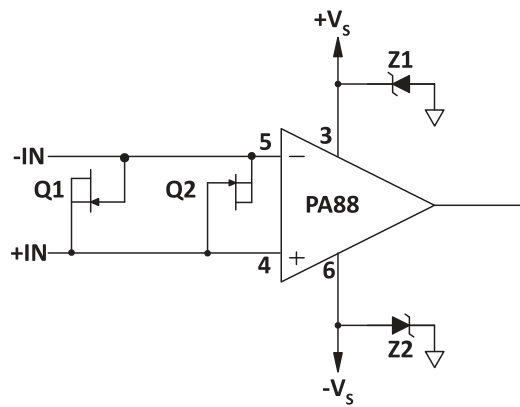
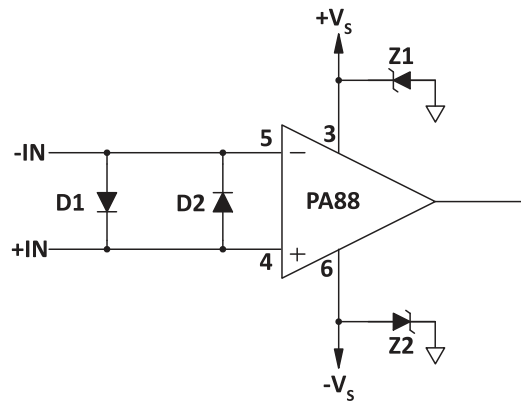
Although the PA88 can withstand differential input voltages up to  $\pm 25V$ , additional external protection is recommended, and required at total supply voltages above 300 volts. In most applications 1N4148 or 1N914 signal diodes are sufficient (D1, D2 in Figure 17a). In more demanding applications where low leakage or low capacitance are of concern 2N4416 or 2N5457-2N5459 JFETs connected as diodes will be required (Q1, Q2 in Figure 17b). In either case the input differential voltage will be clamped to  $\pm 0.7V$ . This is sufficient overdrive to produce maximum power bandwidth.

## POWER SUPPLY PROTECTION

Unidirectional zener diode transient suppressors are recommended as protection on the supply pins. The zeners clamp transients to voltages within the power supply rating and also clamp power supply reversals to ground. Whether the zeners are used or not, the system power supply should be evaluated for transient performance including power-on overshoot and power-off polarity reversal as well as line regulation.

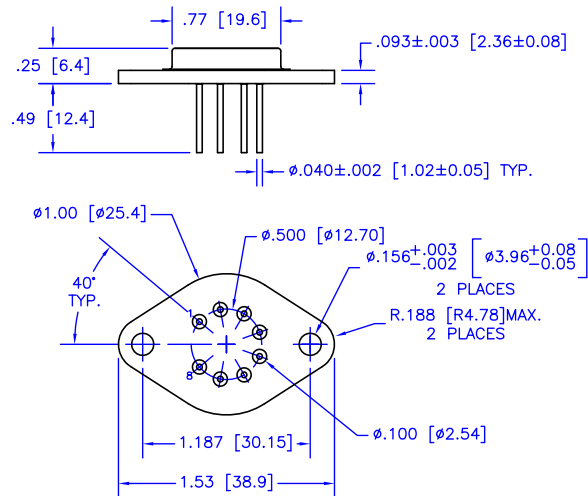
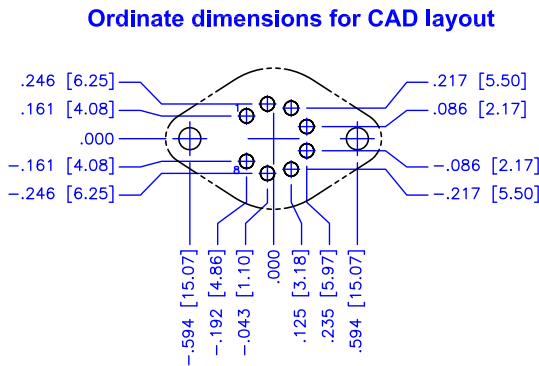
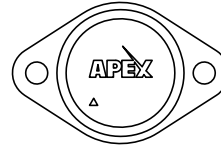
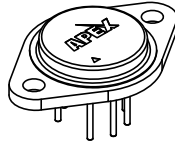
Conditions which can cause open circuits or polarity reversals on either power supply rail should be avoided or protected against. Reversals or opens on the negative supply rail is known to induce input stage failure. Unidirectional transzors prevent this, and it is desirable that they be both electrically and physically as close to the amplifier as possible.

Figure 17: Overvoltage Protection



**PACKAGE OPTIONS**

**PACKAGE STYLE CE**



**NOTES:**

1. Dimensions are inches & [mm].
2. Triangle printed on lid denotes pin 1.
3. Header flatness within pin circle is .0005" TIR, max.
4. Header flatness between mounting holes is .0015" TIR, max.
5. Standard pin material: Solderable nickel-plated Alloy 52.
6. Header material: Nickel-plated cold-rolled steel.
7. Welded hermetic package seal
8. Isolation: 500 VDC any pin to case.
9. Package weight: .53 oz [15 g]

**NEED TECHNICAL HELP? CONTACT APEX SUPPORT!**

For all Apex Microtechnology product questions and inquiries, call toll free 800-546-2739 in North America. For inquiries via email, please contact [apex.support@apexanalog.com](mailto:apex.support@apexanalog.com). International customers can also request support by contacting their local Apex Microtechnology Sales Representative. To find the one nearest to you, go to [www.apexanalog.com](http://www.apexanalog.com)

**IMPORTANT NOTICE**

Apex Microtechnology, Inc. has made every effort to insure the accuracy of the content contained in this document. However, the information is subject to change without notice and is provided "AS IS" without warranty of any kind (expressed or implied). Apex Microtechnology reserves the right to make changes without further notice to any specifications or products mentioned herein to improve reliability. This document is the property of Apex Microtechnology and by furnishing this information, Apex Microtechnology grants no license, expressed or implied under any patents, mask work rights, copyrights, trademarks, trade secrets or other intellectual property rights. Apex Microtechnology owns the copyrights associated with the information contained herein and gives consent for copies to be made of the information only for use within your organization with respect to Apex Microtechnology integrated circuits or other products of Apex Microtechnology. This consent does not extend to other copying such as copying for general distribution, advertising or promotional purposes, or for creating any work for resale.

APEX MICROTECHNOLOGY PRODUCTS ARE NOT DESIGNED, AUTHORIZED OR WARRANTED TO BE SUITABLE FOR USE IN PRODUCTS USED FOR LIFE SUPPORT, AUTOMOTIVE SAFETY, SECURITY DEVICES, OR OTHER CRITICAL APPLICATIONS. PRODUCTS IN SUCH APPLICATIONS ARE UNDERSTOOD TO BE FULLY AT THE CUSTOMER OR THE CUSTOMER'S RISK.

Apex Microtechnology, Apex and Apex Precision Power are trademarks of Apex Microtechnology, Inc. All other corporate names noted herein may be trademarks of their respective holders.