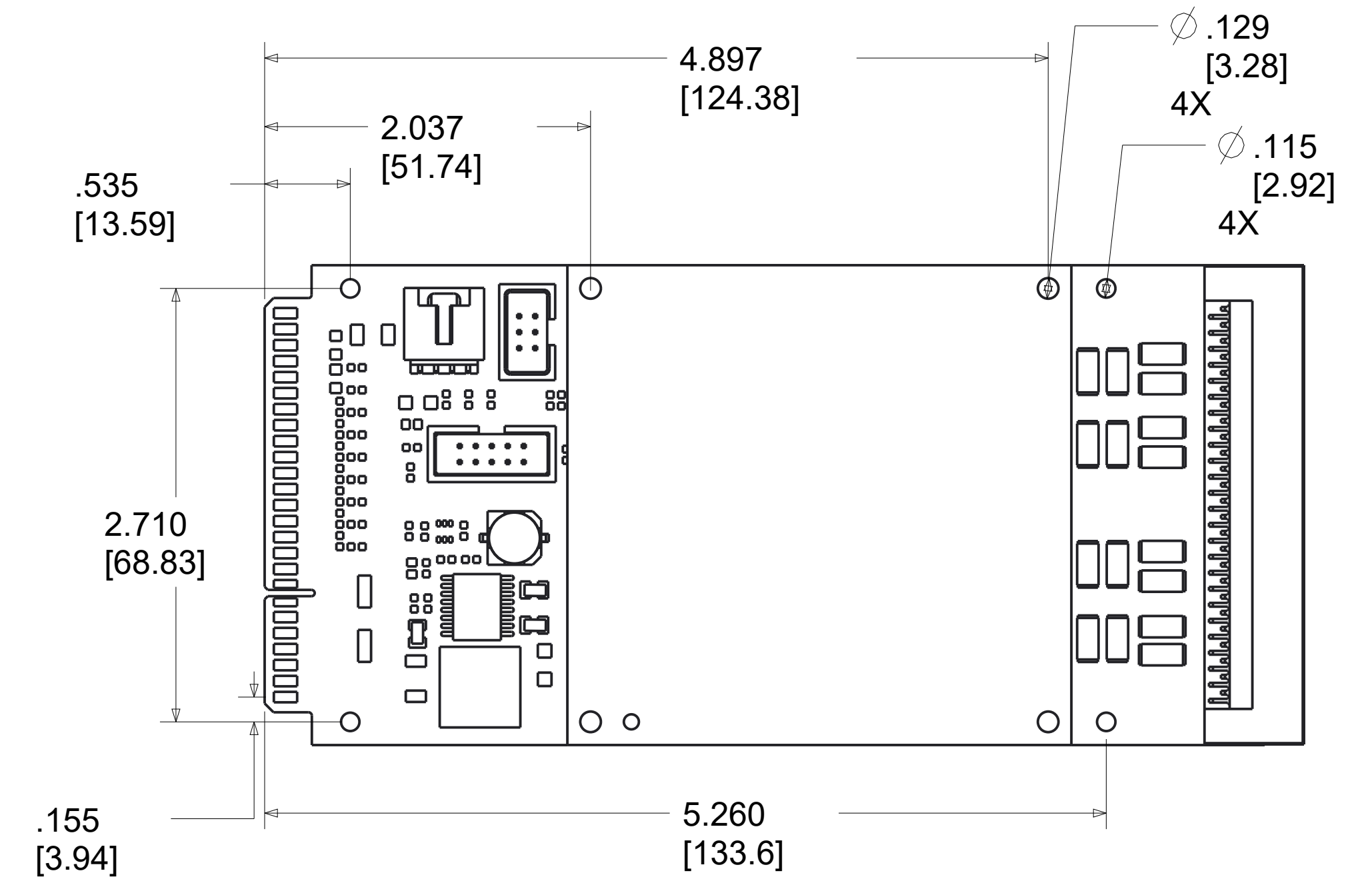
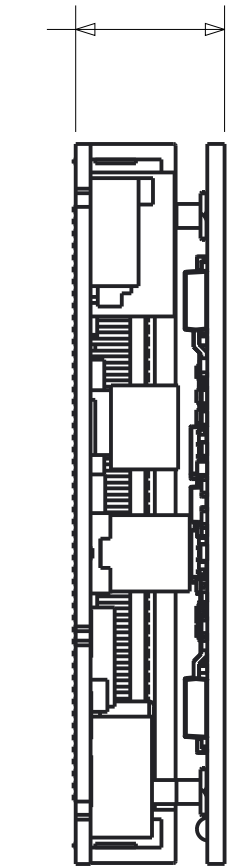
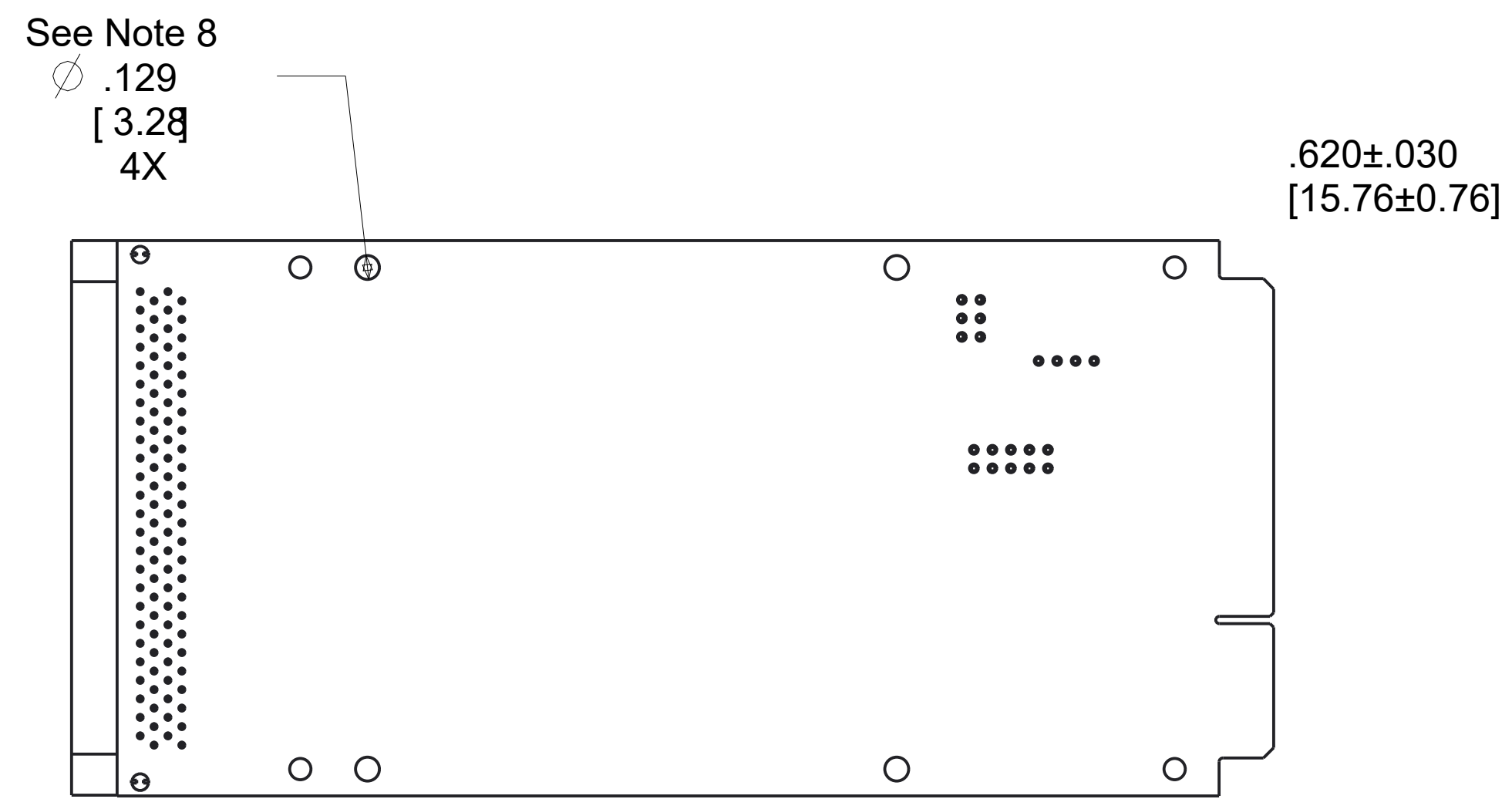
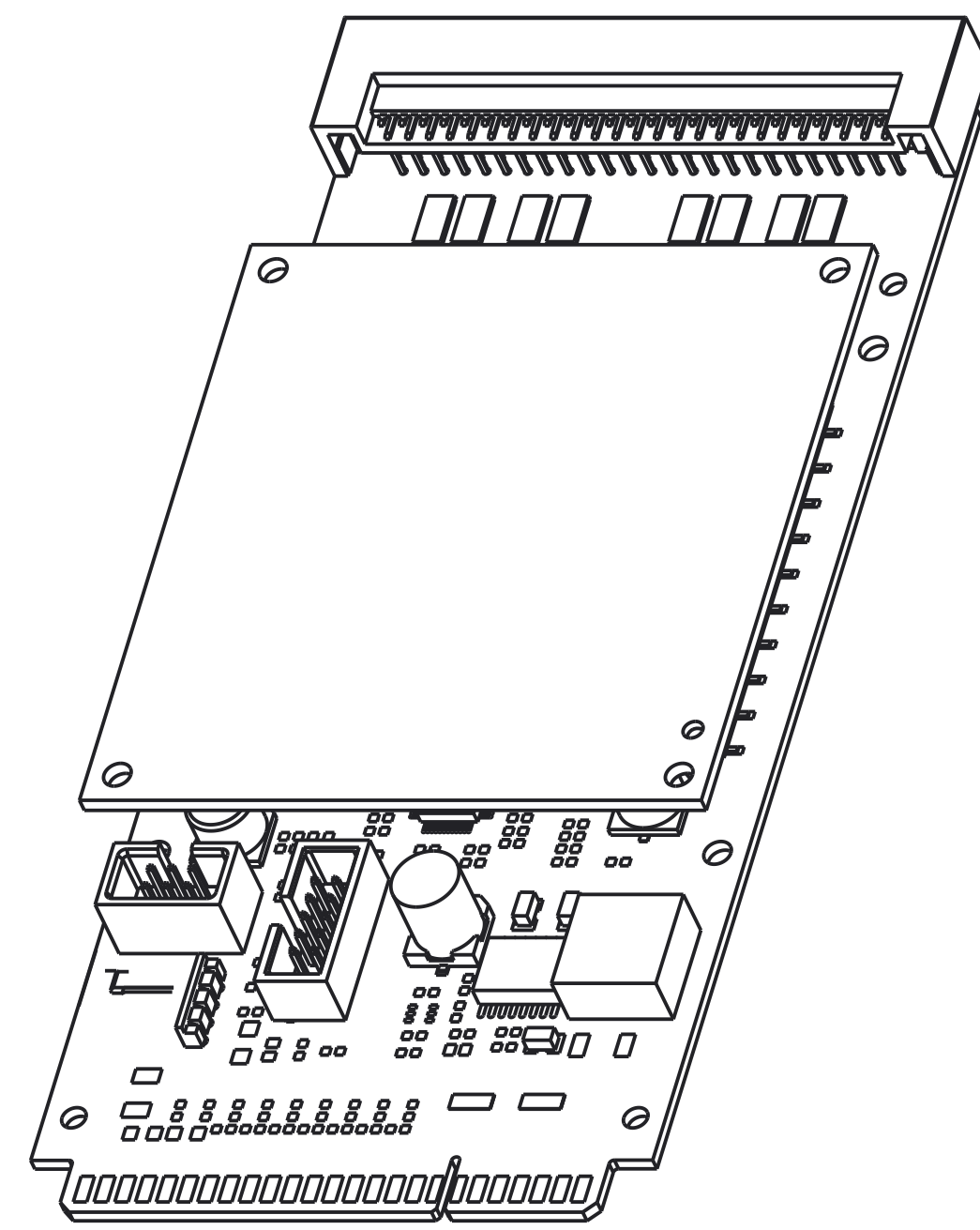
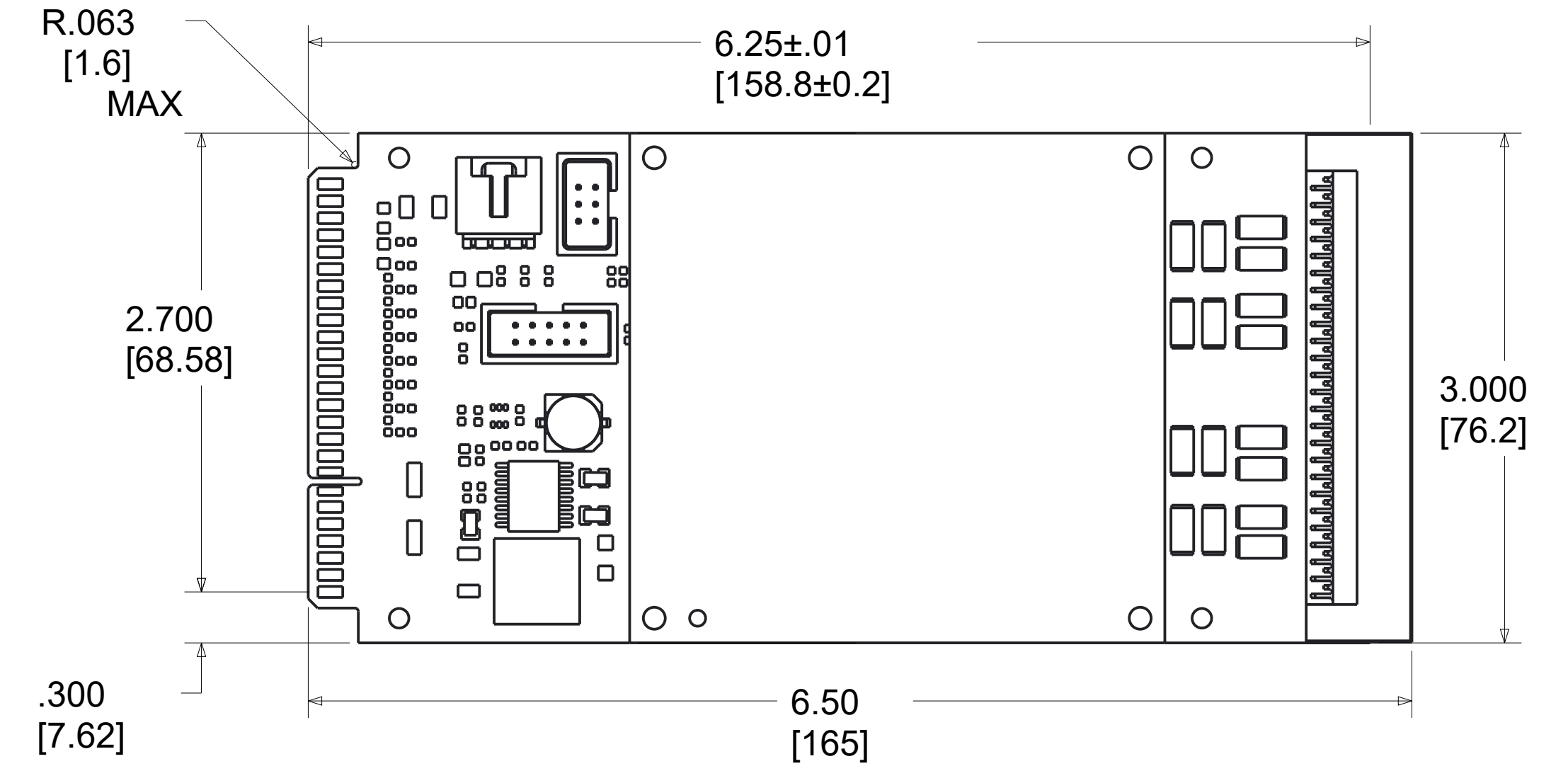
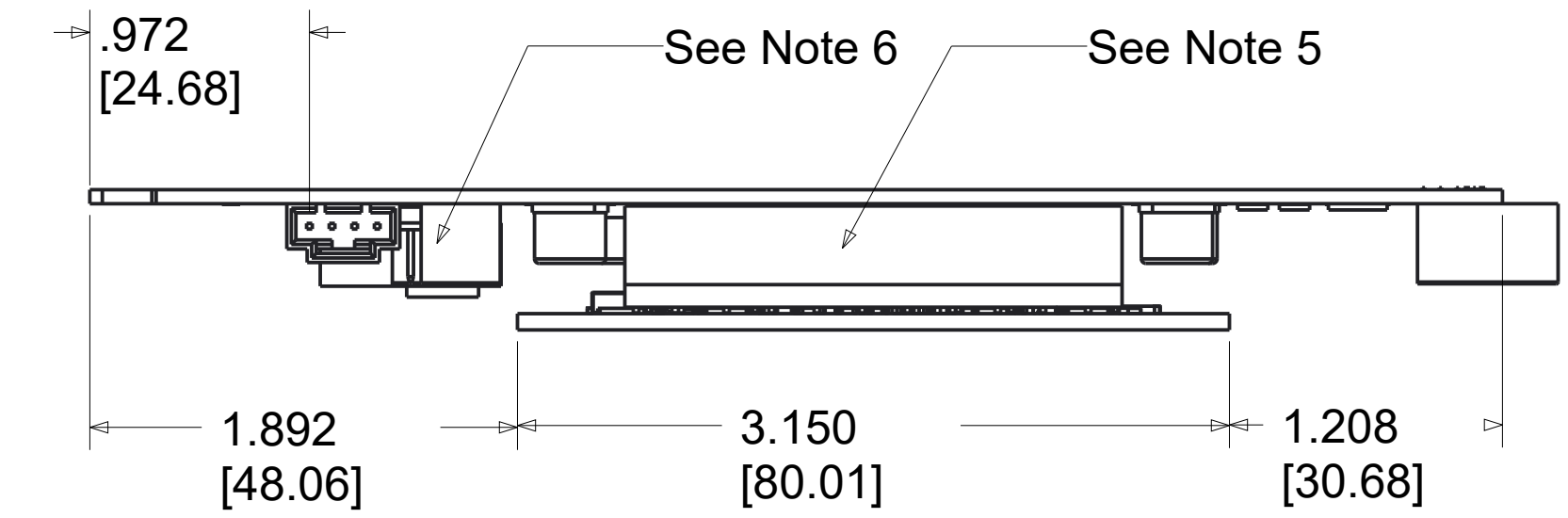
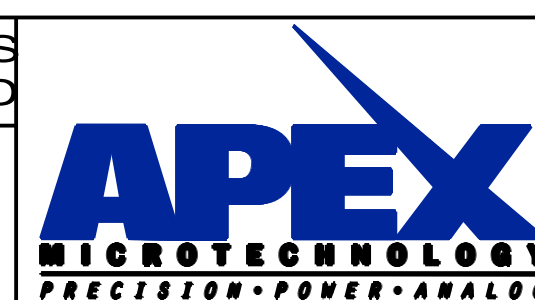


NOTES:

1. Dimensions are in inches [mm].
2. Recommended mating edge connector or equivalent:
25-pin TE Connectivity p/n 5532600-2
JAE TX24-100R-LT-H1E (Print Head)
3. Material:
Digital Unit - .062 [1.57] thick FR-4, 2 oz. Cu conductors.
Analog Unit - .072 [1.83] thick, 2 oz. Cu conductors over 600V dielectric over Al substrate.
4. Hard gold plating on edge connector contacts.
5. Not recommended that mating connectors between digital and analog units be used as mechanical support.
6. When designing or choosing a heatsink, allow adequate space for components on the digital side.
7. Use #4 or equivalent screws for analog unit to heatsink.
8. Four holes in digital unit, used to access mounting holes of analog unit, are .129in [3.28mm].
9. Package Weight: 110 grams.
10. Drawing scale: 1.25x



TOLERANCES - UNLESS OTHERWISE SPECIFIED	
.XX ± .01 [.254]	
.XXX ± .005 [.127]	
ANG. ±5°	



TITLE: Card-Edge, 50P Input, 100P Ricoh Output		MODEL: ND	
SUBJECT: PACKAGE OUTLINE			
ENGINEER: J.LEITH	DRAWN BY: EAS	DCA: 17170	SH. OF 1 1

FILENAME: ND	REV: A	DATE: 11OCT2017
--------------	--------	-----------------