

4

3

2

1

D

D

C

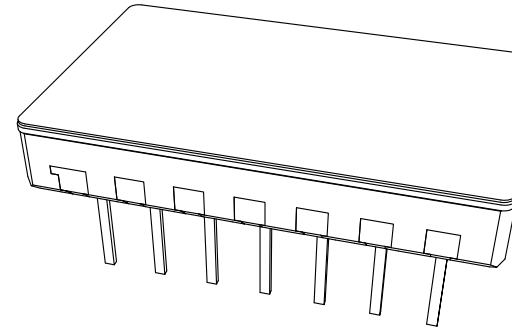
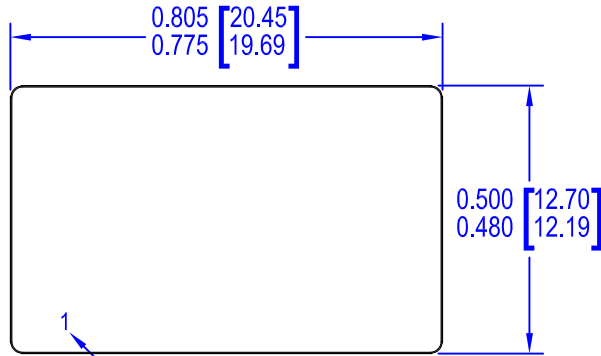
C

B

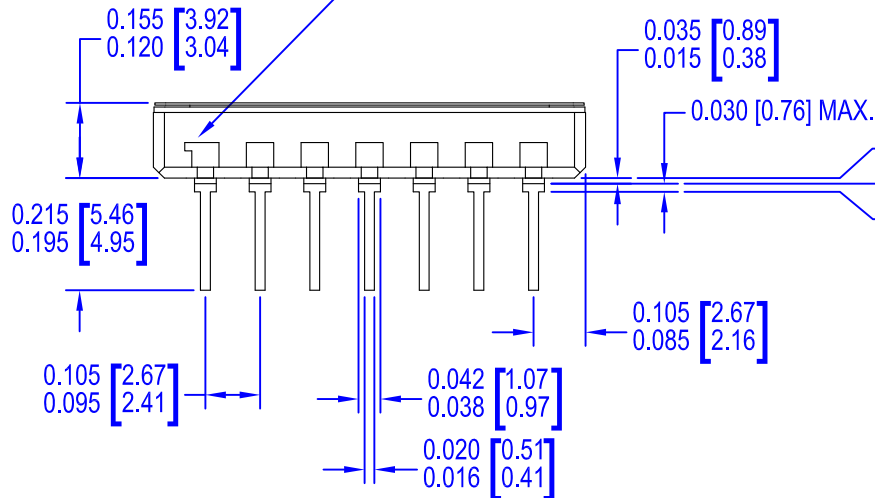
B

A

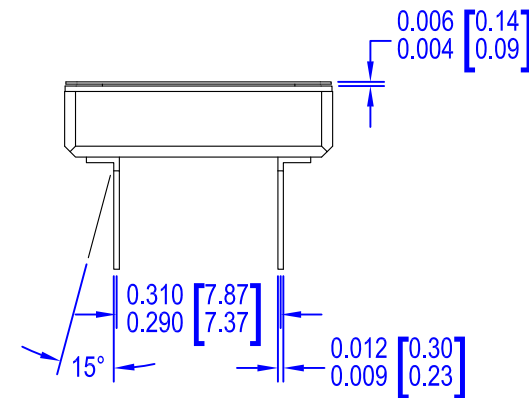
A



PIN 1 IDENTIFIER



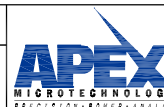
BASE SEATING GAUGE



**NOTES:**

- 1. Dimensions are inches & [millimeters].
- 2. Bracketed alternate units are for reference only.
- 3. Pins: Phosphor bronze, Gold over Nickel plated.
- 4. Material: Alumina Ceramic substrate and cover.
- 5. Cover: Electroless Nickel plated.
- 6. Package weight: 0.092 oz. [2.605 g].

TOLERANCES - UNLESS OTHERWISE SPECIFIED
.XX = ±.01 [.254]
.XXX = ±.005 [.127]
ANG. = ±5°



TITLE: 14-pin HERMETIC CERAMIC DIP		MODEL:	
SUBJECT: PACKAGE OUTLINE		HC	
ENGINEER: P.ECK	DRAWN BY: R.MOR	DCA: 13236	SH. 1 OF 1

FILENAME: HC	REV: C	DATE: 29MAY13
--------------	--------	---------------

4

3

2

1