

4

3

2

1

D

D

C

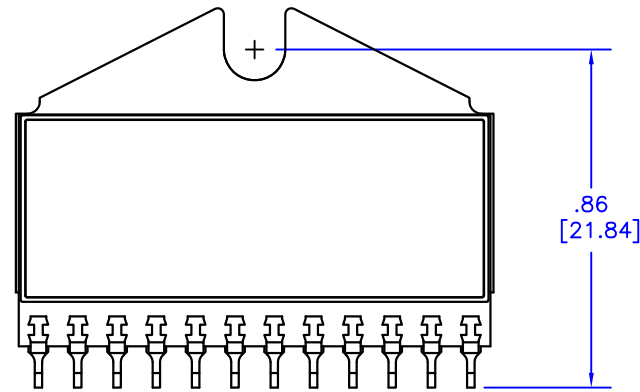
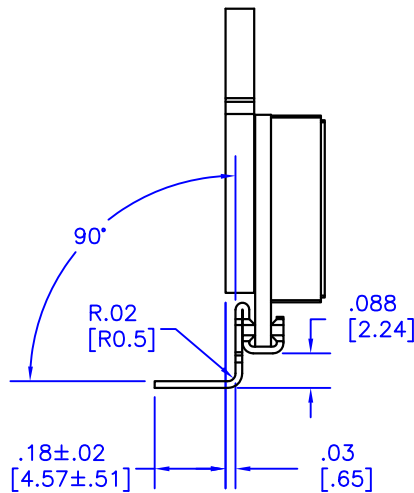
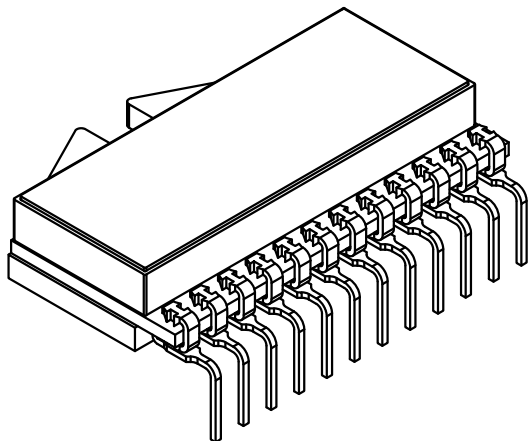
C

B

B

A

A



NOTES:

- 1. Dimensions are inches & [mm].
- 2. For other dimensions and information on this package see package DP.

TOLERANCES - UNLESS OTHERWISE SPECIFIED						TITLE: 12-pin SIP, 90° FORMED LEADS, TAB DN		MODEL: FP	
.XX = ±.01 [.254] .XXX = ±.005 [.127] ANG. = ±5°						SUBJECT: PACKAGE OUTLINE			
ENGINEER: RER	DRAWN BY: R.MOR	DCA: 13235	SH. 1	OF 1	FILENAME: FP	REV: C	DATE: 29MAY13		

4

3

2

1