

4

3

2

1

D

D

C

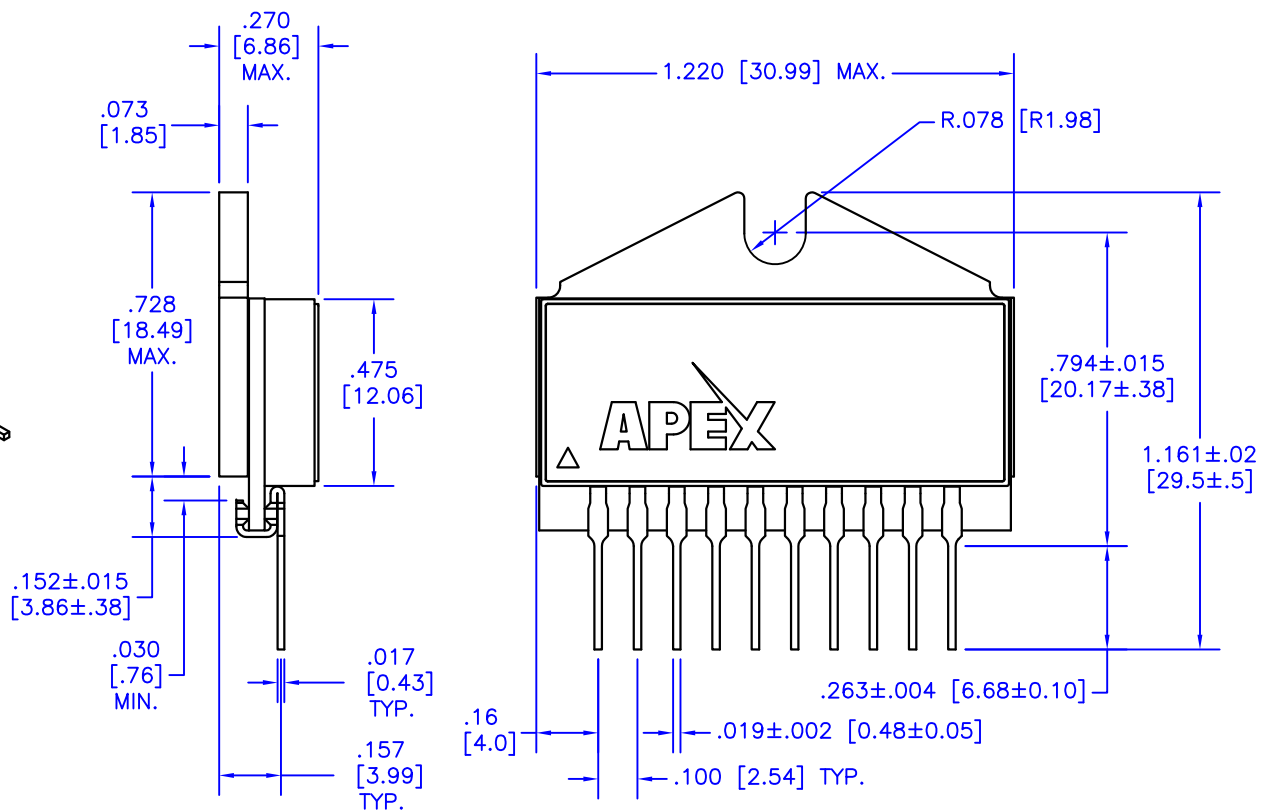
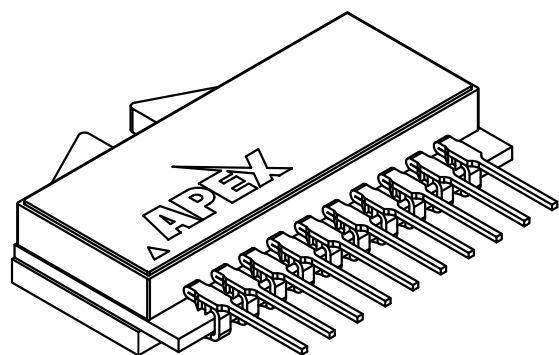
C

B

B

A

A



NOTES:

- Dimensions are inches & [mm].
- Triangle on lid denotes pin 1.
- Pins: Alloy 510 phosphor bronze plated with matte tin ($150 - 300\mu$) over nickel (50μ max.) underplate.
- Package: Vectra liquid crystal polymer, black
- Epoxy-sealed & ultrasonically welded non-hermetic package.
- Package weight: .367 oz. [11.41 g]

TOLERANCES - UNLESS OTHERWISE SPECIFIED

.XX = $\pm .01$ [.254]

.XXX = $\pm .005$ [.127]

ANG. = $\pm 5^\circ$



TITLE

10-pin POWER SIP

MODEL

FL

SUBJECT

PACKAGE OUTLINE

ENGINEER

RER

DRAWN BY

R.MOR

DCA

13228

SH.

OF

1 1

FILENAME

FL

REV

E

DATE

29MAY30

4

3

2

1