

4

3

2

1

D

D

C

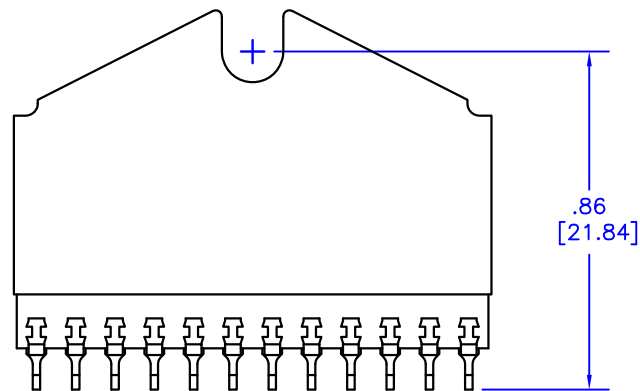
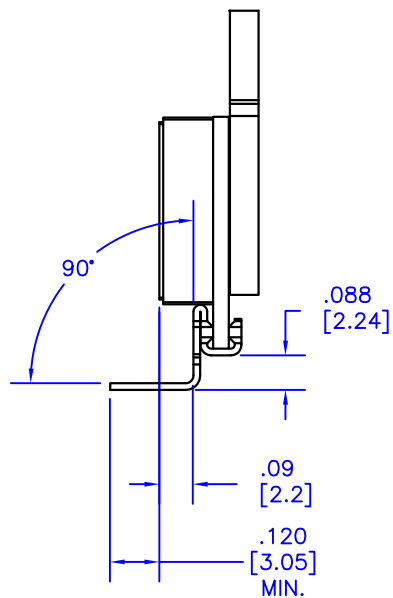
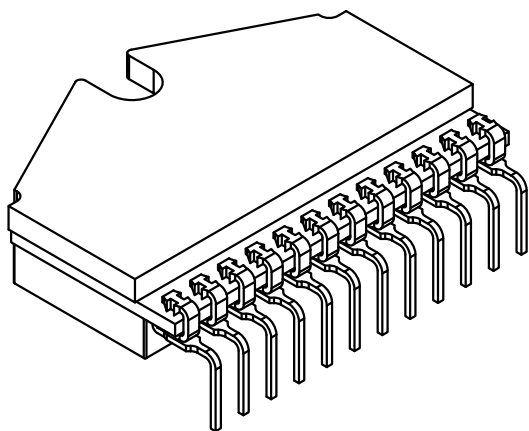
C

B

B

A

A



NOTES:

- 1. Dimensions are inches & [mm].
- 2. For other dimensions and information on this package with unformed leads, see package DP.

TOLERANCES - UNLESS OTHERWISE SPECIFIED

.XX = ±.01 [.254]
 .XXX = ±.005 [.127]
 ANG. = ±5°



TITLE: 12-pin SIP, 90° FORMED LEADS

SUBJECT: PACKAGE OUTLINE

MODEL:

EE

ENGINEER: RER	DRAWN BY: R.MOR	DCA: 13227	SH. 1 OF 1	FILENAME: EE	REV: D	DATE: 29MAY13
---------------	-----------------	------------	------------	--------------	--------	---------------

4

3

2

1