

4

3

2

1

D

D

C

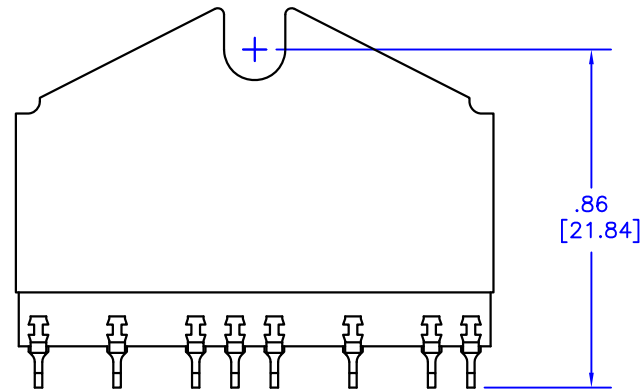
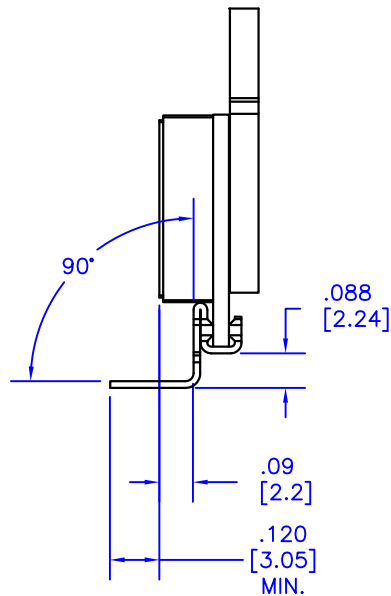
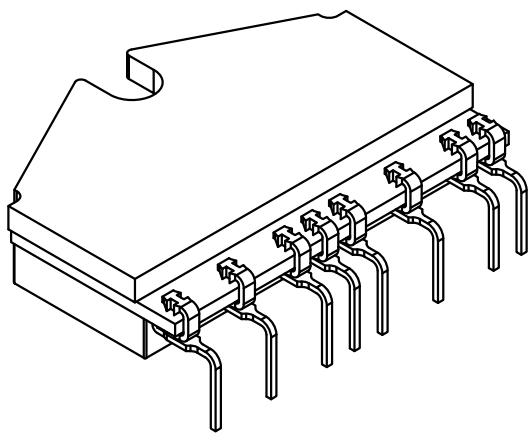
C

B

B

A

A



**NOTES:**

- 1. Dimensions are inches & [mm].
- 2. For other dimensions and information on this package with unformed leads, see package DQ.

TOLERANCES - UNLESS OTHERWISE SPECIFIED .XX = ±.01 [.254] .XXX = ±.005 [.127] ANG. = ±5°		TITLE: <b>8-pin SIP, 90° FORMED LEADS</b>				MODEL:	<b>EC</b>
		SUBJECT: <b>PACKAGE OUTLINE</b>					
ENGINEER: <b>RER</b>	DRAWN BY: <b>R.MOR</b>	DCA: <b>13227</b>	SHL: <b>1</b>	OF: <b>1</b>	FILENAME: <b>EC</b>	REV: <b>D</b>	DATE: <b>29MAY13</b>

4

3

2

1