

4

3

2

1

D

D

C

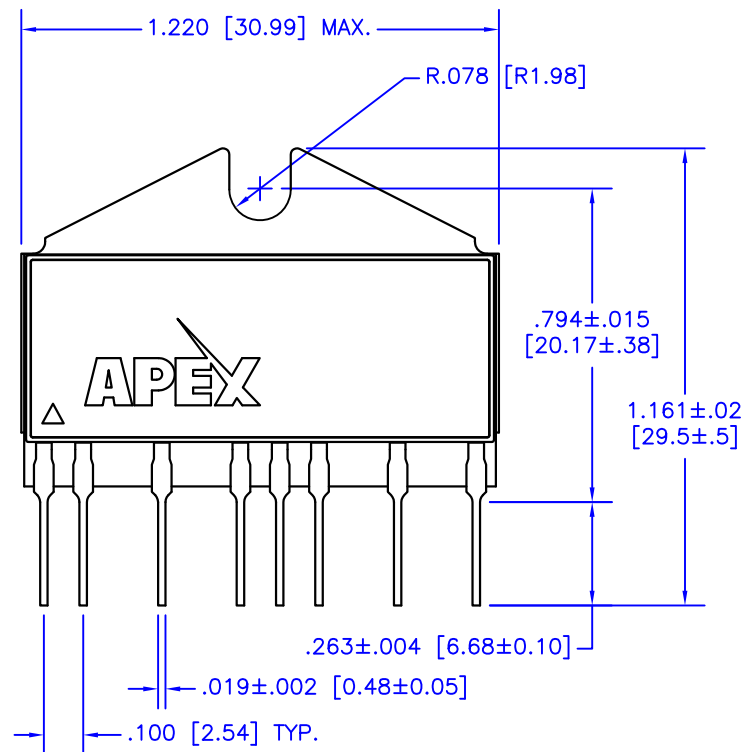
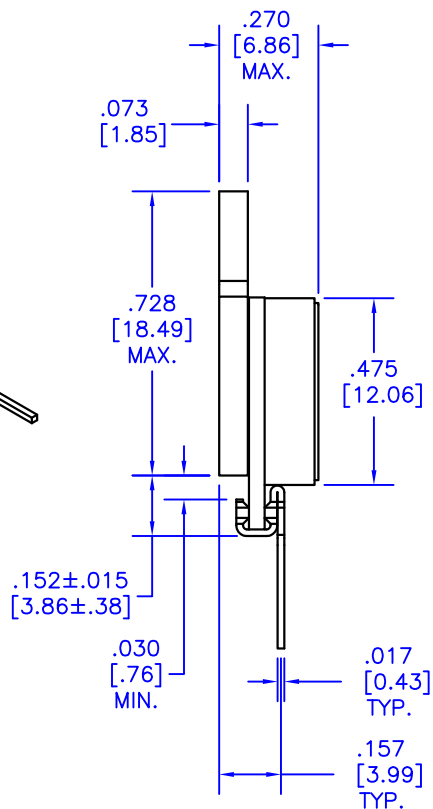
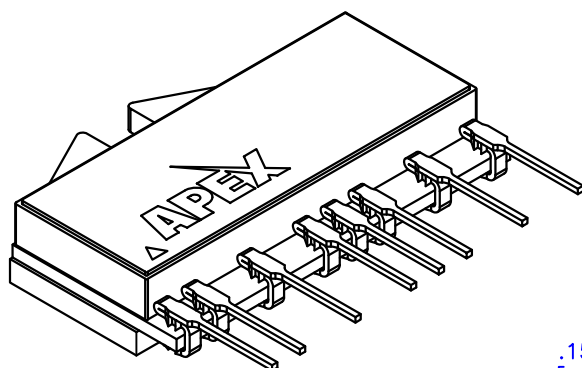
C

B

B

A

A



NOTES:

1. Dimensions are inches & [mm].
2. Triangle on lid denotes pin 1.
3. Pins: Alloy 510 phosphor bronze plated with matte tin (150 - 300 μ) over nickel (50 μ max.) underplate.
4. Package: Vectra liquid crystal polymer, black
5. Epoxy-sealed & ultrasonically welded non-hermetic package.
6. Package weight: .367 oz. [11.41 g]

TOLERANCES - UNLESS
OTHERWISE SPECIFIED

.XX = ± 0.01 [.254]

.XXX = ± 0.005 [.127]

ANG. = $\pm 5^\circ$



TITLE:

8-pin POWER SIP

MODEL:

DQ

SUBJECT:

PACKAGE OUTLINE

ENGINEER:

RER

DRAWN BY:

R.MOR

DCA:

13227

SH.

OF

1 1

FILENAME:

DQ

REV:

E

DATE:

29MAY13

4

3

2

1