

4

3

2

1

D

D

C

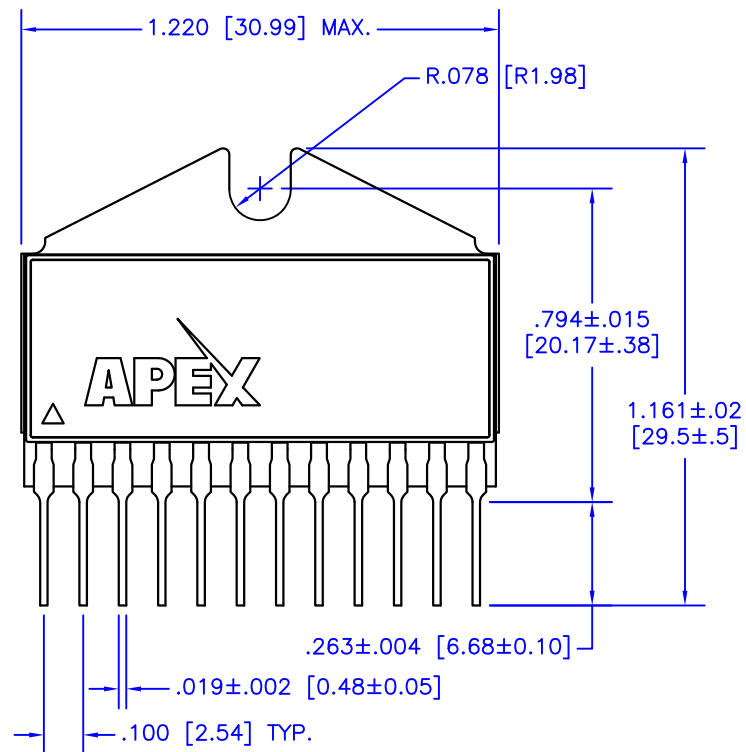
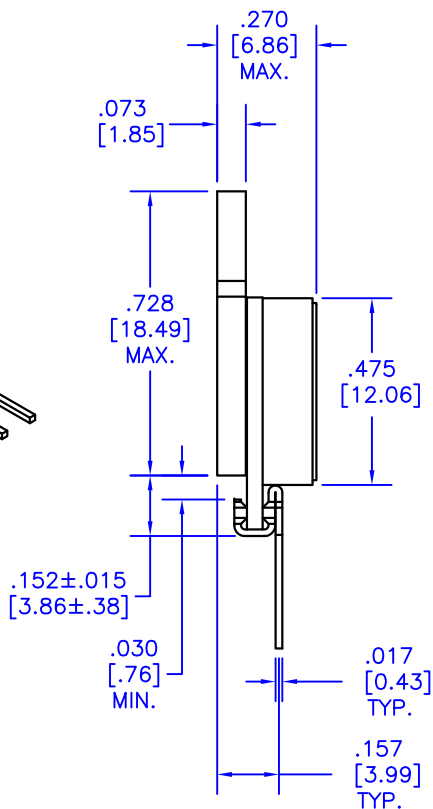
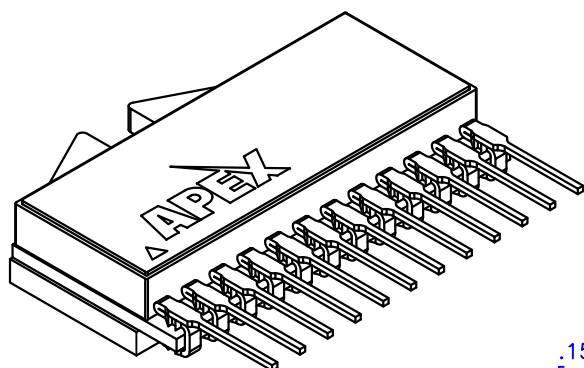
C

B

B

A

A

**NOTES:**

- Dimensions are inches & [mm].
- Triangle on lid denotes pin 1.
- Pins: Alloy 510 phosphor bronze plated with matte tin (150 - 300 μ) over nickel (50 μ max.) underplate.
- Package: Vectra liquid crystal polymer, black
- Epoxy-sealed & ultrasonically welded non-hermetic package.
- Package weight: .367 oz. [11.41 g]

TOLERANCES - UNLESS OTHERWISE SPECIFIED

.XX = $\pm .01$ [.254].XXX = $\pm .005$ [.127]ANG. = $\pm 5^\circ$ 

TITLE

12-pin POWER SIP

SUBJECT

PACKAGE OUTLINE

ENGINEER

RER

DRAWN BY

R.MOR

DCA:

13227

SH.

OF

1 1

MODEL

DP

FILENAME:

DP

REV:

E

DATE:

29MAY13

4

3

2

1