

4

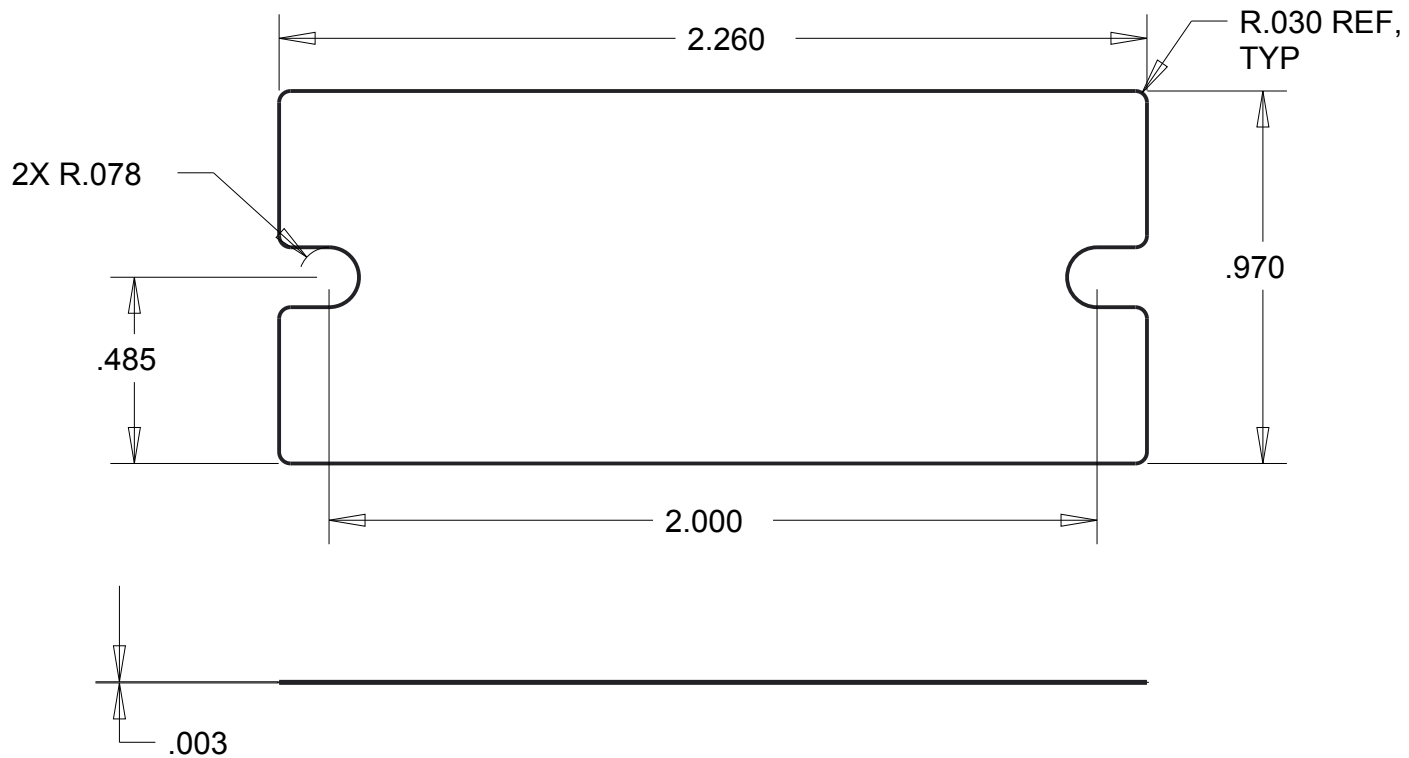
3

2

1

NOTES:

- 1. Unless otherwise noted, all dimensions are in inches.
- 2. Foil Material: .002" thick aluminum - TCF1000AL.
- 3. Interface Material: .0005 thick phase-change thermal compound, each side.  
 Maximum shipping & storage temperature - 40° C  
 Reflow temperature - 60° C  
 Maximum recommended service temperature - 150° C
- 4. Thermal impedance: .030° C-inxin/W (.194° C-cmxcm/W) @ 20psi.
- 5. Used with Apex GN, GP, GK, and GL packages.



TOLERANCES - UNLESS OTHERWISE SPECIFIED  
 .XX = +/- .05" [.254]  
 .XXX = +/- .005" [.127]  
 ANG. = +/- 2 DEGREES



TITLE: POWER SIP THERMAL WASHER  
 SUBJECT: PACKAGE OUTLINE  
 ENGINEER: EAS  
 DRAWN BY: EAS  
 DCA: 16284  
 SH. 1 OF 1

MODEL: TW15  
 FILENAME: TW15  
 REV: A  
 DATE: 06JULY16

4

3

2

1