

4

3

2

1

D

D

C

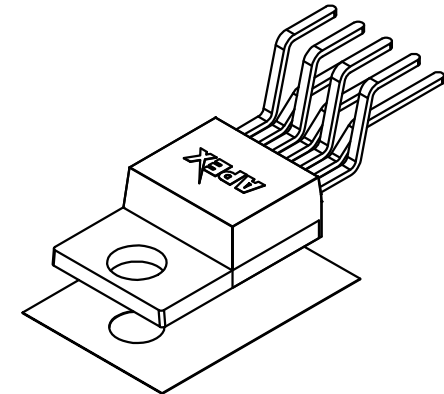
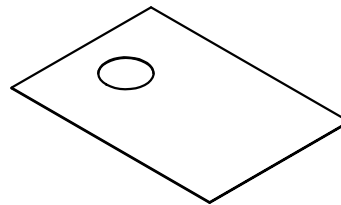
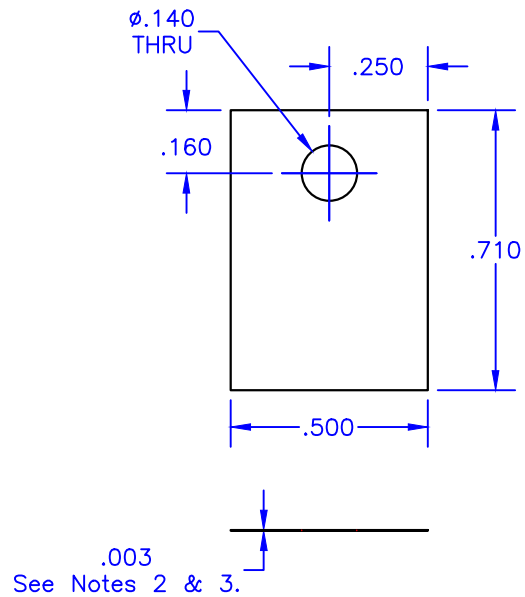
C

B

B

A

A



NOTES:

1. Unless otherwise noted, all dimensions are in inches.
2. Film Material: .002 thick Kapton[®] MT
Dielectric strength – 5200 VAC/mil
3. Interface Material: .0005 thick phase-change thermal compound, both sides.
Maximum shipping & storage temperature – 40°C
Reflow temperature – 60°C
Maximum recommended service temperature – 200°C
4. Thermal impedance: .201 °C/W-in² (1.30 °C/W-cm²) @ 20psi
5. Used with TO-220 packages (Apex designators: CD & CX).

TOLERANCES - UNLESS OTHERWISE SPECIFIED
.XX = ±.01 [.254]
.XXX = ±.005 [.127]
ANG. = ±5°



TITLE:	THERMAL WASHER, TO-220				MODEL:	TW14		
SUBJECT:	MECHANICAL DRAWING				ENGINEER:	K.GOPP	DATE:	11JUL16
ENGINEER:	K.GOPP	DRAWN BY:	J.FAY	DCA:	16270	SH. OF:	1 1	

FILENAME:	TW14	REV:	J	DATE:	11JUL16
-----------	------	------	---	-------	---------

4

3

2

1