

4

3

2

1

D

D

C

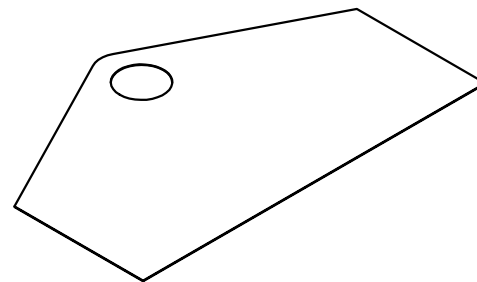
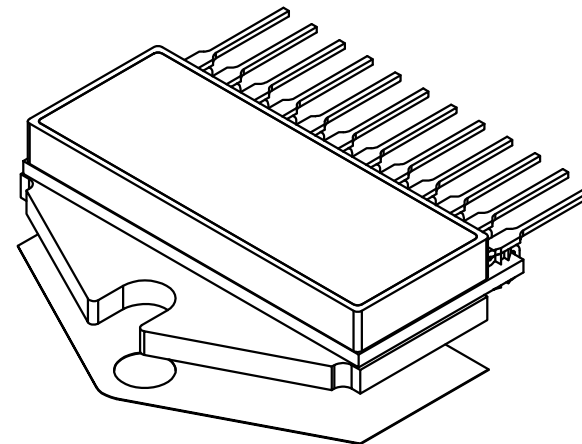
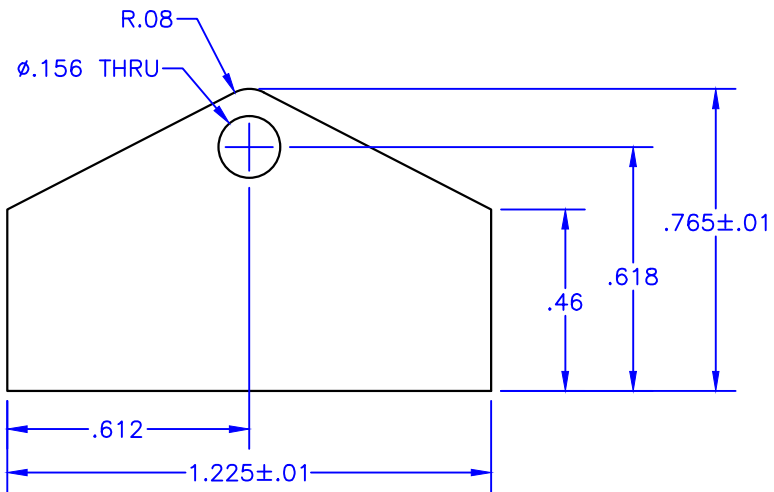
C

B

B

A

A



.003  
See Notes 2 & 3.

**NOTES:**

1. Unless otherwise noted, all dimensions are in inches.
2. Foil Material: .002 thick 1145 aluminum
3. Interface Material: .0005 thick phase-change thermal compound, both sides.  
Maximum shipping & storage temperature - 40°C  
Reflow temperature - 60°C  
Maximum recommended service temperature - 200°C
4. Thermal impedance:  $.030 \text{ } ^\circ\text{C/W-in}^2$  ( $.194 \text{ } ^\circ\text{C/W-cm}^2$ ) @ 20psi
5. Used with 12-pin PSIP packages (Apex designators: DP, ED, EE & EQ).

TOLERANCES - UNLESS OTHERWISE SPECIFIED		TITLE: THERMAL WASHER, PSIP				MODEL: TW07	
.XX = ±.01 [.254]		SUBJECT: MECHANICAL DRAWING					
.XXX = ±.005 [.127]		ENGINEER: K.GOPP	DRAWN BY: J.FAY	DCA: 16270	SH: 1	OP: 1	FILENAME: TW07
ANG. = ±5°		APEX MICROTECHNOLOGY DIRECTOR OF PURCHASE					REV: I
							DATE: 11JUL16

4

3

2

1