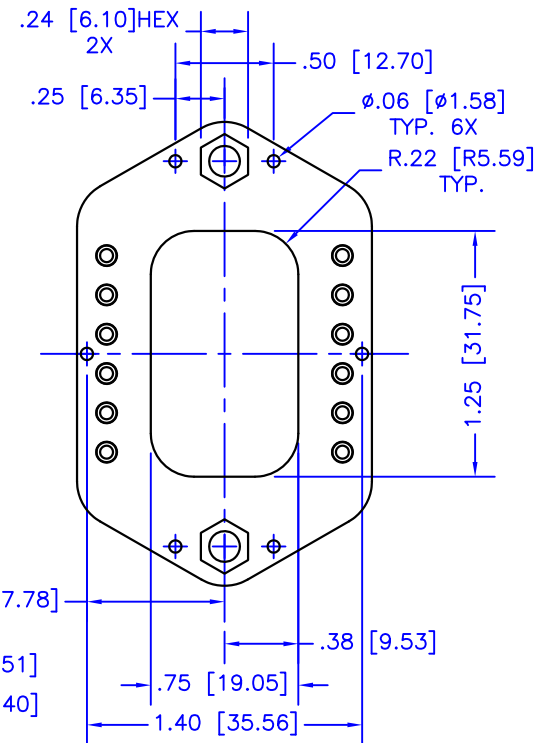
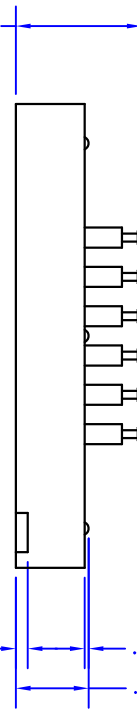
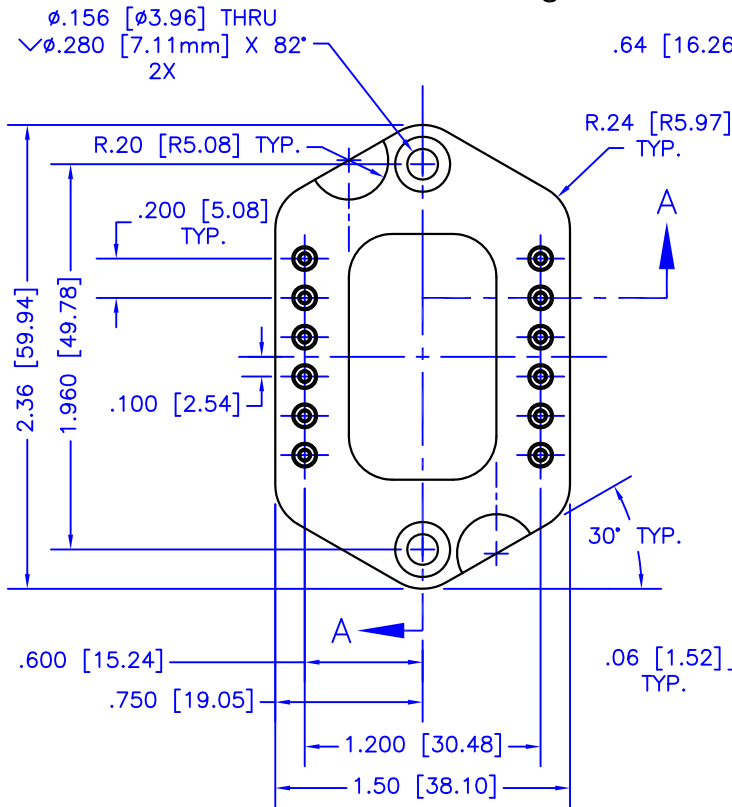
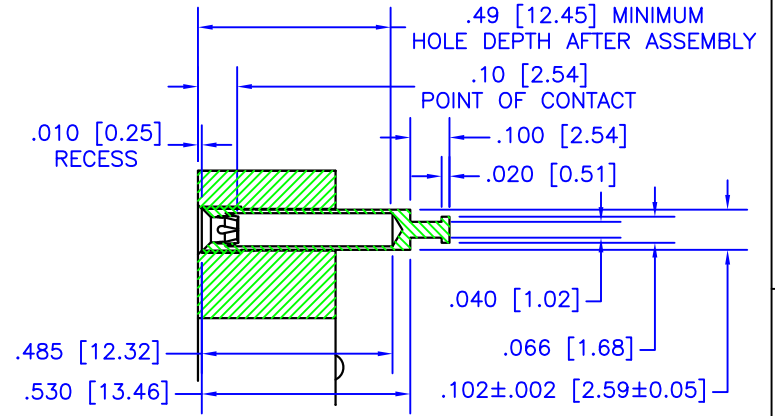
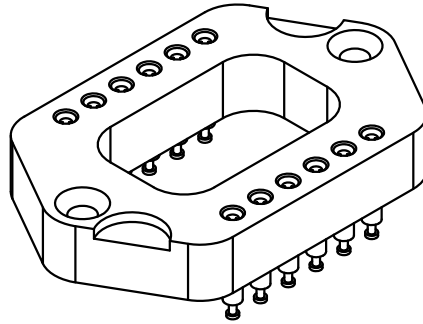
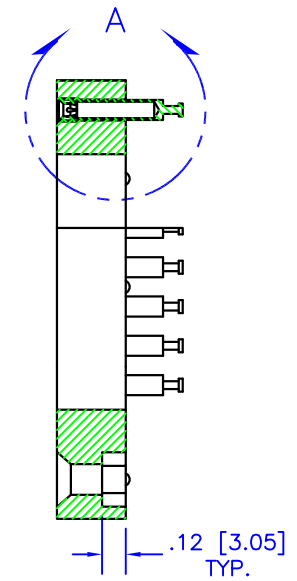


**NOTES:**

1. Dimensions are in inches & [mm].
2. Socket body: Glass-filled polyester, 94 VO rating, green in color
3. Receptacle shell: 360 brass, with 200 μin tin over 100 μin nickel
4. Receptacle contacts: Beryllium copper with 30 μin gold over 50 μin nickel
5. The continuous temperature rating of the socket shall be 150° C.
6. Contact resistance: 20 milliohms or less.



DETAIL A  
SCALE 2:1



SECTION A-A

TOLERANCES - UNLESS OTHERWISE SPECIFIED
.XX = ±.01 [.254]
.XXX = ±.005 [.127]
ANG. = ±5°



TITLE:	POWER DIP SOCKET			MODEL:	MS05								
SUBJECT:	MECHANICAL DRAWING												
ENGINEER:	D-M	DRAWN BY:	R.MOR	DCAL:	13242	SHEET:	1 OF 1	FILENAME:	MS05	REV:	F	DATE:	03JUN13

**MS05**