

4

3

2

1

D

D

C

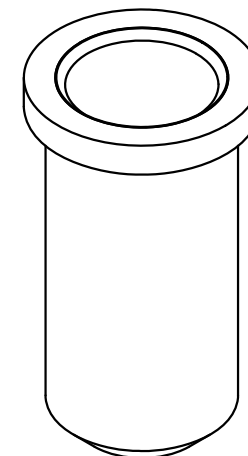
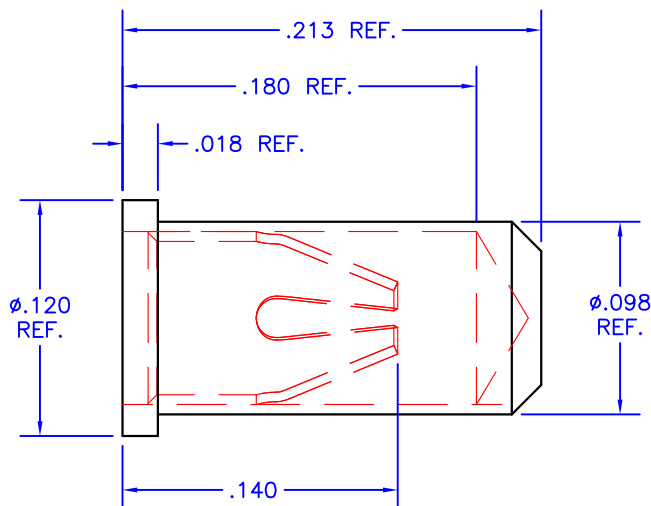
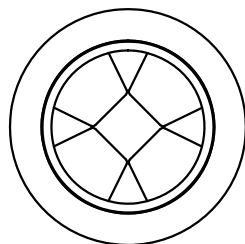
C

B

B

A

A



NOTES:

1. Unless otherwise noted, dimensions are in inches.
2. Shell: 360 brass, half-hard, with 10 μ m gold over nickel
3. Contacts: Beryllium copper with 30 μ m gold over nickel
4. Current rating: 11.2 amps, for 10°C temperature rise.
5. Solder mount in minimum .100 diameter mounting hole.
6. Mill-Max Part No. 0364-0-15-15-13-27-10-0

TOLERANCES - UNLESS OTHERWISE SPECIFIED

.XX = ± 0.01 [.254]
 .XXX = ± 0.005 [.127]
 ANG. = $\pm 5^\circ$



TITLE: PIN RECEPTACLE .048-.064 DIA.

SUBJECT: MECHANICAL DRAWING

ENGINEER: D-M

DRAWN BY: R.MOR

DCA: 13243

SPL 1 OF 1

FILENAME: MS04

REV: D

DATE: 03JUN13

MODEL: MS04

4

3

2

1