

4

3

2

1

D

D

C

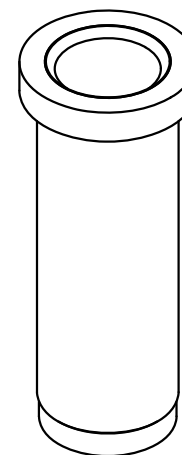
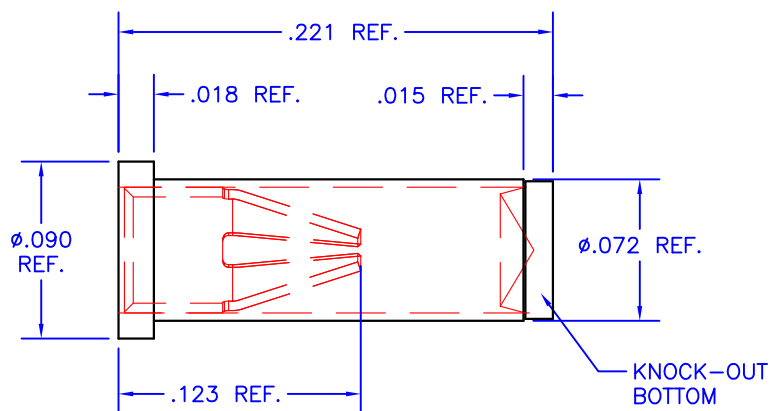
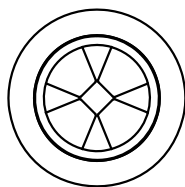
C

B

B

A

A

**NOTES:**

1. Unless otherwise noted, dimensions are in inches.
2. Shell: 360 brass, half-hard, with 10  $\mu$ m gold over nickel
3. Contacts: Beryllium copper with 30  $\mu$ m gold over nickel
4. Current rating: 8 amps, for 10°C temperature rise.
5. Solder mount in minimum .075 diameter mounting hole.
6. Mill-Max Part No. 0329-0-15-15-34-27-10-0

TOLERANCES - UNLESS OTHERWISE SPECIFIED

.XX =  $\pm .01$  [.254].XXX =  $\pm .005$  [.127]ANG. =  $\pm 5^\circ$ 

TITLE:

**PIN RECEPTACLE**  
FOR .032-.046 DIAMETER PINS

MODEL:

**MS02**

SUBJECT:

**MECHANICAL DRAWING**

ENGINEER:

D-M R.MOR

DRAWN BY:

13241

DCA:

SPL:

OF

1

FILENAME:

MS02

REV:

D

DATE:

03JUN13

4

3

2

1