

4

3

2

1

D

D

C

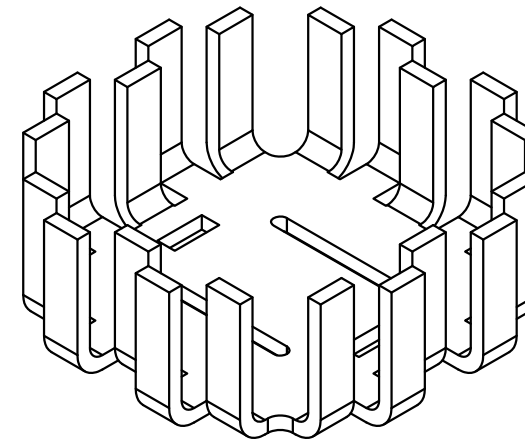
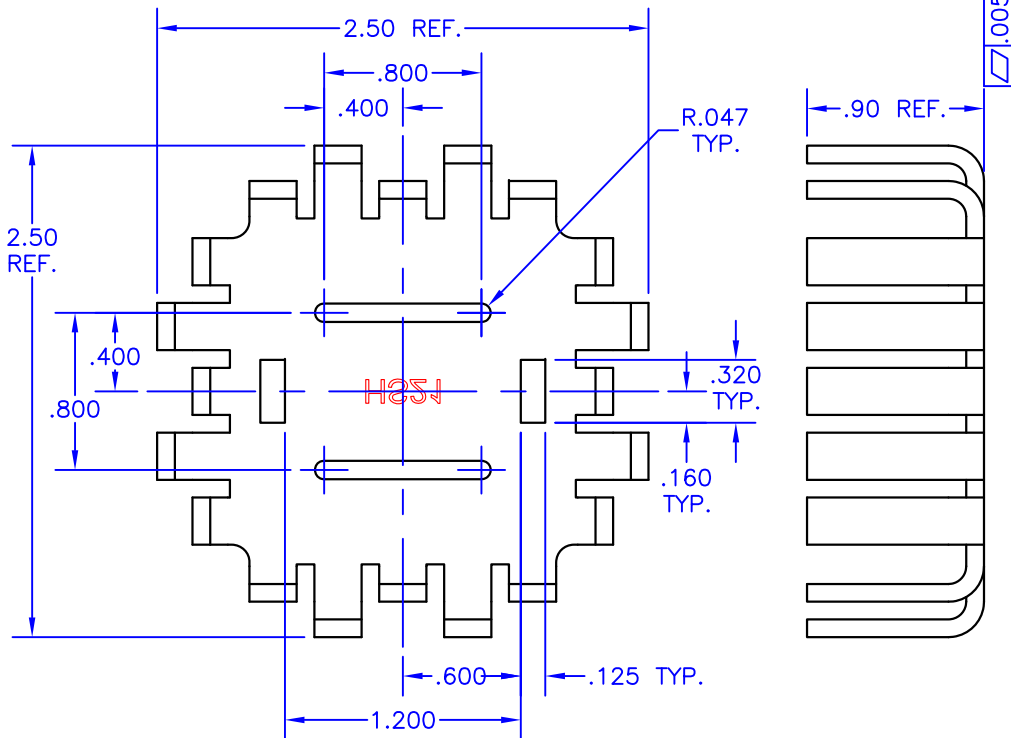
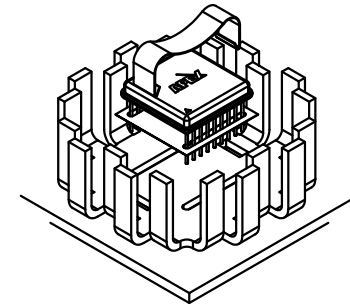
C

B

B

A

A



NOTES:

1. Unless otherwise noted, all dimensions are in inches.
2. Break all sharp edges, de-burr & remove loose chips.
3. Material: 6063-T5 aluminum (M/F CTS/IERC HP1-218 series)
4. Finish: Anodize per MIL-A-8625, Type II, Class 2, Black
Typical breakdown voltage > 300V
5. Mark with contrasting ink as shown, if specified by P.O.
6. Approximate Weight: 1.1 oz. [31g]
7. Thermal Rating: 5.6 °C/W

TOLERANCES - UNLESS OTHERWISE SPECIFIED
.XX = ±.01 [.254]
.XXX = ±.005 [.127]
ANG. = ±5°



TITLE:	DIP HEATSINK			MODEL:	HS21		
SUBJECT:	MECHANICAL DRAWING			FILENAME:	HS21		
ENGINEER:	D-M	DRAWN BY:	R.MOR	DCAL:	13497	SPL:	1 OF 1
DATE:				REV:	E		

DATE:	03JAN14		
-------	----------------	--	--

4

3

2

1