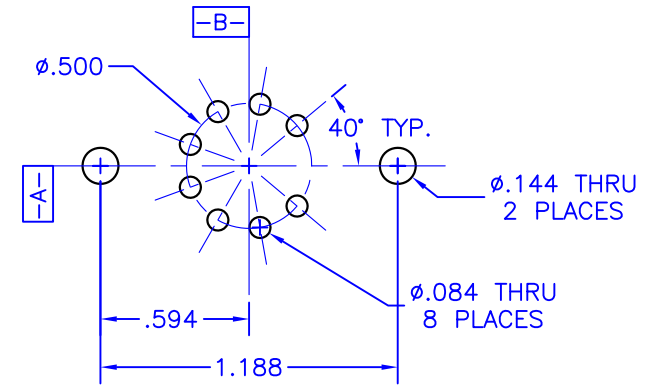
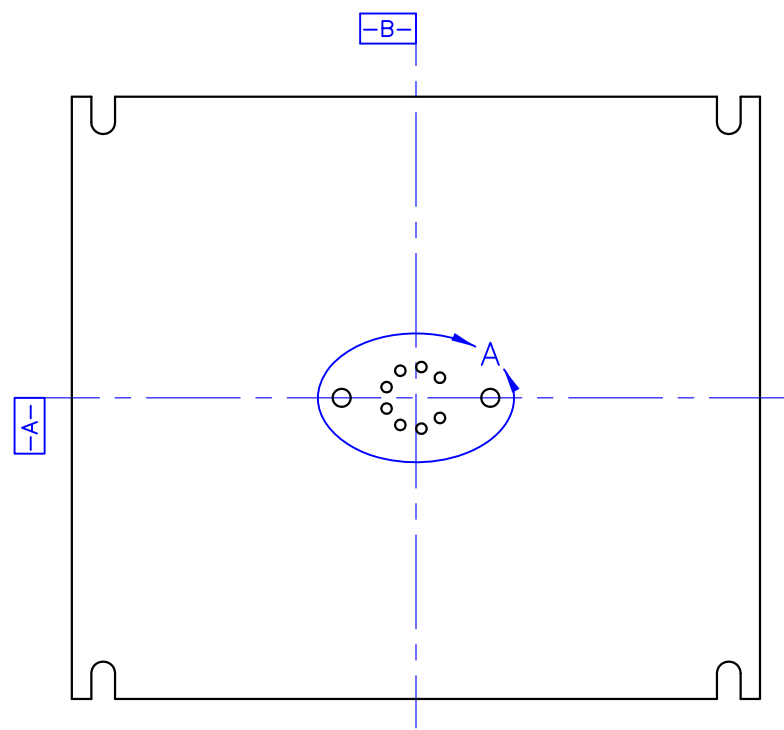
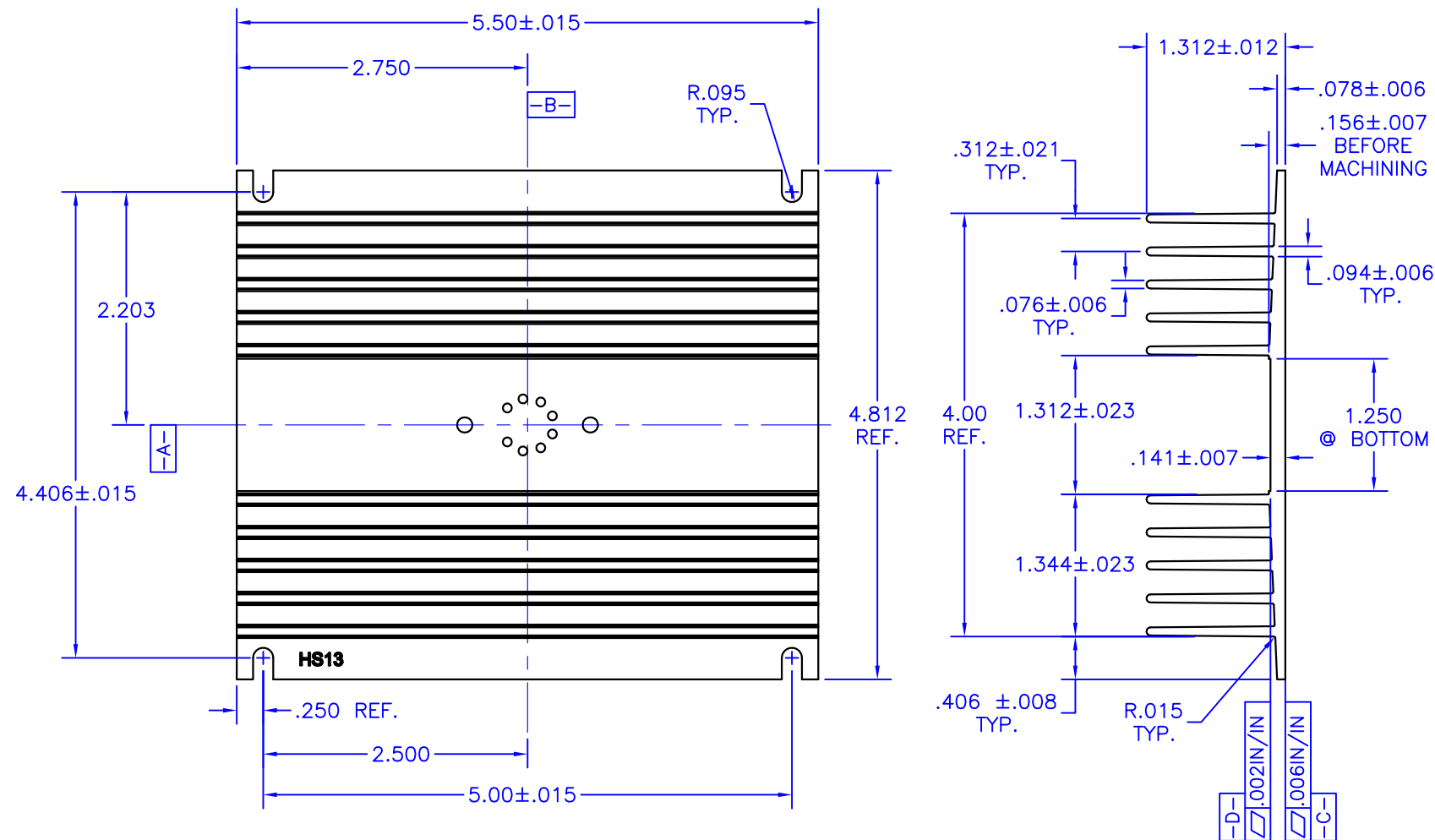


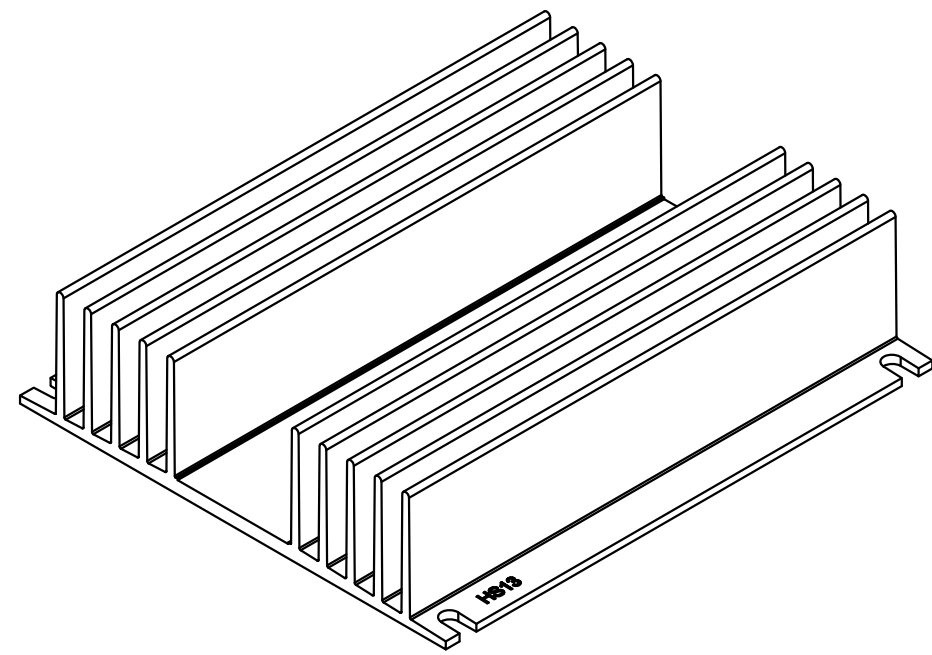
8 7 6 5 4 3 2 1

E  
D  
C  
B  
A

E  
D  
C  
B  
A



DETAIL A  
SCALE: 2X



**P1 HEATSINK**  
 MAT'L: 6063-T5 ALUMINUM (AAVID EXTRUSION #60840)  
 FINISH: ANODIZE PER MIL-A-8625, TYPE II, CL 2, BLACK  
 TYPICAL BREAKDOWN VOLTAGE > 300V

- NOTES:**
1. UNLESS OTHERWISE NOTED, ALL DIMENSIONS ARE IN INCHES.
  2. BREAK ALL SHARP EDGES, DE-BURR & REMOVE LOOSE CHIPS.
  3. MARK WITH CONTRASTING INK AS SHOWN, IF SPECIFIED BY PURCHASE ORDER.
  4. THERMAL RATING: 1.48 °C/W
  5. APPROXIMATE WEIGHT: 13.7 oz [388g]

TOLERANCES - UNLESS OTHERWISE SPECIFIED		TITLE: TO-3 HEATSINK			MODEL: HS13	
.XX = ±.01 [.254]		SUBJECT: MECHANICAL DRAWING			FILENAME: HS13	
.XXX = ±.005 [.127]		ENGINEER: D-M	DRAWN BY: R.MOR	DCAL: 13497	SIL: 1 OF 1	REV: J
ANG. = ±5°		DATE: 01JAN14				

8 7 6 5 4 3 2 1