

4

3

2

1

D

D

C

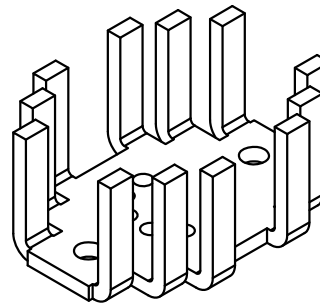
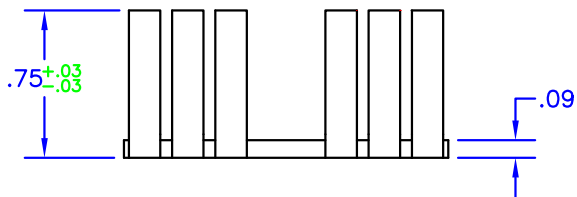
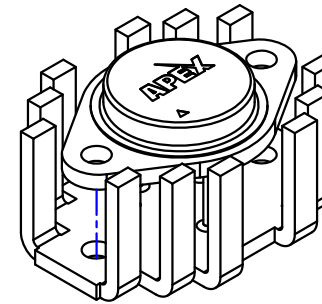
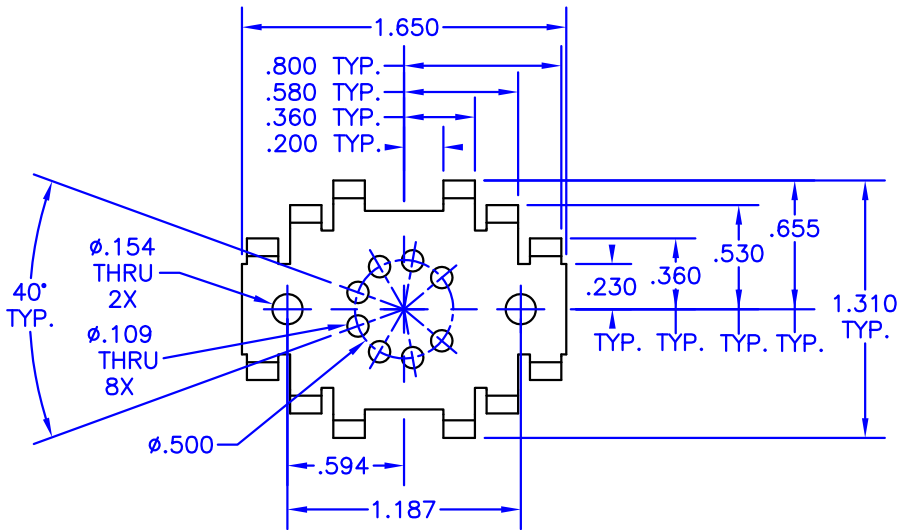
C

B

B

A

A



**NOTES:**

1. Unless otherwise noted, all dimensions are in inches.
2. Break all sharp edges, de-burr & remove loose chips.
3. Material: Aluminum alloy.
4. Finish: Anodize per MIL-A-8625, Type II, Class 2, Black  
Typical breakdown voltage > 300V.
5. Mark with contrasting ink as shown, if specified by P.O.
6. Approximate Weight: 0.4 oz [11g].
7. Vendor: Aavid Thermalloy Extrusion 329241.
8. Thermal rating: 11.7 °C/W

TOLERANCES - UNLESS OTHERWISE SPECIFIED
.XX = ±.01 [.254]
.XXX = ±.005 [.127]
ANG. = ±5°



TITLE: HEATSINK, T03		MODEL:	
SUBJECT: MECHANICAL DRAWING			
ENGINEER: D-M	DRAWN BY: RMOR	DCA: 14295	SH. OF 1 1

HS09		REV: H	DATE: 02SEP14
------	--	--------	---------------

4

3

2

1

THIS PAGE LEFT BLANK