

4

3

2

1

D

D

C

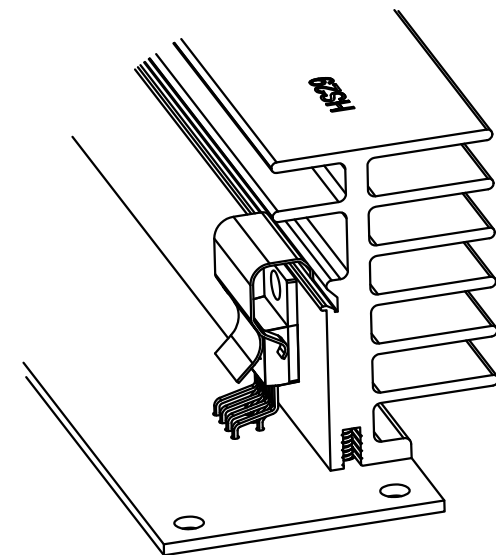
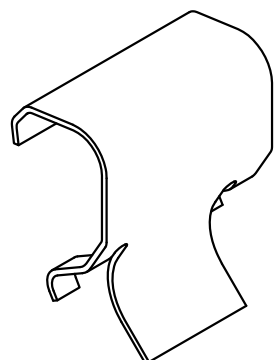
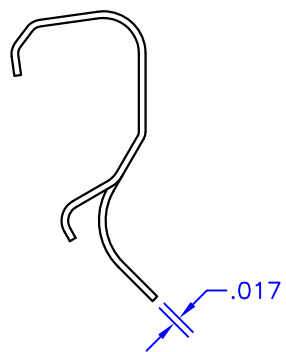
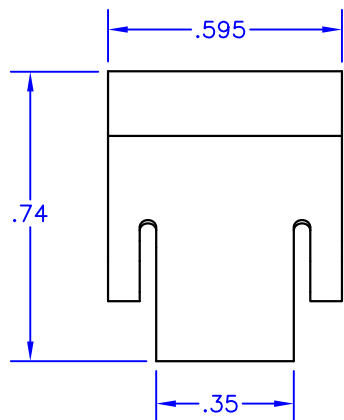
C

B

B

A

A



NOTES:

1. Unless otherwise noted, dimensions are in inches.
2. Break all sharp edges, de-burr and remove loose chips.
3. Aavid Thermalloy part number 439648.
4. Material: Black oxide finished spring steel
5. Used with HS29 heatsink.
6. Approximate weight: .05 oz. [1.4 g]

TOLERANCES - UNLESS OTHERWISE SPECIFIED .XX = ±.01 [.254] .XXX = ±.005 [.127] ANG. = ±5°		TITLE: TO-220 CLAMP				MODEL: CLAMP04		
		SUBJECT: MECHANICAL DRAWING						
		ENGINEER: D-M	DRAWN BY: R.MOR	DCAL: 13239	SHL: 1 OF 1	FILENAME: CLAMP04	REV: C	DATE: 03JUN13

4

3

2

1